

# Gas Discharge Tube: GC6 Series



## 3-Electrode $\Phi 6.0 \times T8$ mm Type

### ■ Features

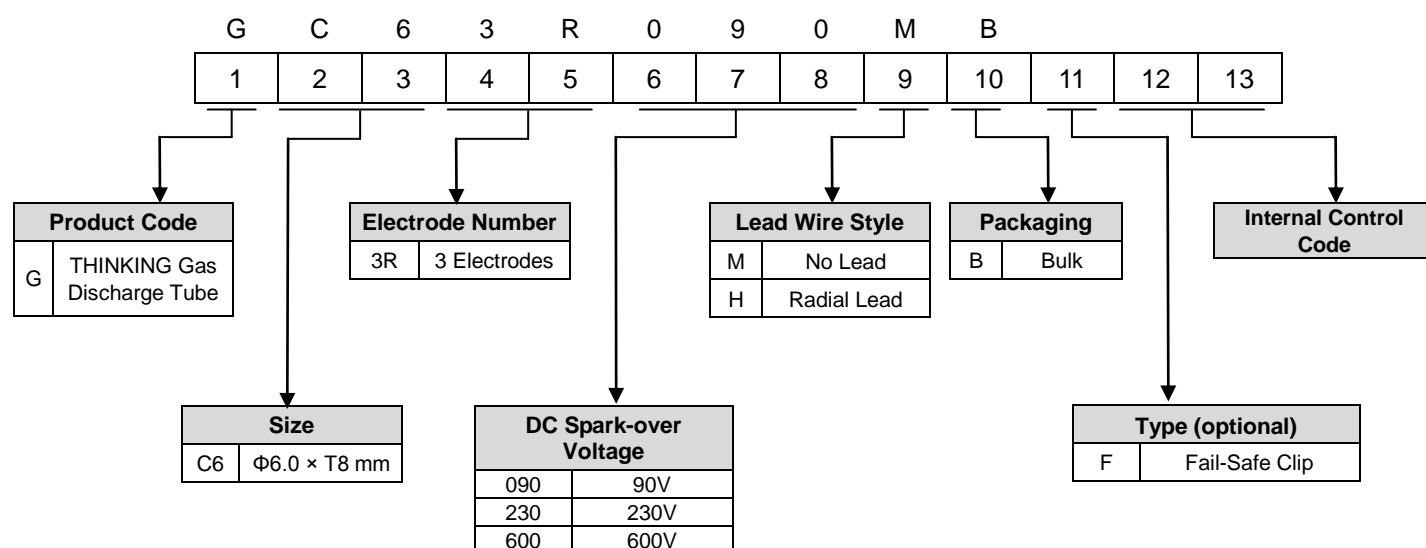
1. RoHS & HF compliant
2. Rugged ceramic-metal construction
3. Available with or without leads
4. Available with fail-safe clip
5. DC spark-over voltage: 90~600V
6. Low capacitance
7. Agency recognition: UL
8. Operating temperature:  $-40^{\circ}\text{C} \sim +85^{\circ}\text{C}$   
Storage temperature:  $-40^{\circ}\text{C} \sim +115^{\circ}\text{C}$



### ■ Recommended Applications

1. Cable modem
2. xDSL
3. Set-top box
4. TV sets
5. Power supply
6. Consumer electronics

### ■ Part Number Code



# Gas Discharge Tube: GC6 Series



## 3-Electrode $\Phi 6.0$ x T8 mm Type

### ■ Characteristics

Part No.	DC Spark-over Voltage	Max. Impulse Breakdown Voltage		Max. Impulse Discharge Current (8/20 $\mu$ s)	Impulse Life (10/1000 $\mu$ s)	Normal Alternating Discharge Current	DC Holdover Voltage	Minimum Insulation Resistance	Maximum Capacitance (1MHz)	Safety Approval
	100V/S	100V/ $\mu$ s	1KV/ $\mu$ s	10 times	200 A	50Hz, 1Sec	<150ms			
	(V)	(V)	(V)	(KA)	Times	(A)	(V)			
GC63R090□□(F)	90 $\pm$ 20%	750	850	5	100	5	52	1	2	√
GC63R145□□(F)	145 $\pm$ 20%	750	850				52			√
GC63R200□□(F)	200 $\pm$ 20%	600	700	10		10	135			√
GC63R230□□(F)	230 $\pm$ 20%	600	700				135			√
GC63R250□□(F)	250 $\pm$ 20%	600	700	5		5	135			√
GC63R350□□(F)	350 $\pm$ 20%	650	750				150			√
GC63R400□□(F)	400 $\pm$ 20%	700	800	5		5	150			√
GC63R420□□(F)	420 $\pm$ 20%	700	800				150			√
GC63R470□□(F)	470 $\pm$ 20%	800	900	5		5	150			√
GC63R600□□(F)	600 $\pm$ 20%	900	1000				150			√

Note 1: The first □ is style of lead wire, and the second □ is packaging.

Note 2: F = with fail-safe clip for optional.

Note 3: UL 497B File No: E245070

Note 4: Insulation resistance test conditions:

DC Spark-over Voltage	DC Measuring Voltage
90V	50V
145-400V	100V
420-600V	250V

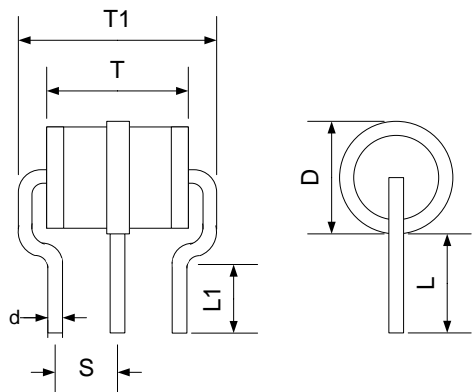
# Gas Discharge Tube: GC6 Series



## 3-Electrode $\Phi 6.0$ x T8 mm Type

### Dimension

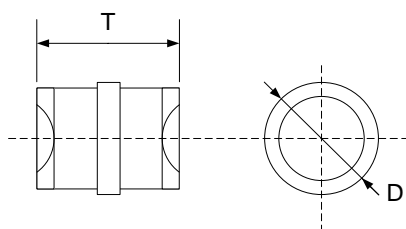
□ = H (Radial Lead Type)



(Unit: mm)

Item	Dimensions	
	Spec.	Tolerance
D	6.0	+0.2/-0.5
T	8.5	$\pm 0.5$
T1	11.5	+0.8/-0.5
L	7.5	$\pm 0.5$
L1	4.5	Min.
S	3.8	$\pm 0.3$
d	0.8	$\pm 0.05$

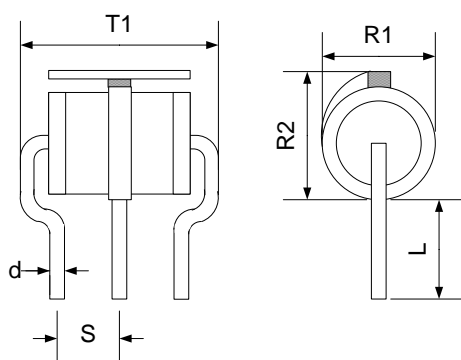
□ = M (No Lead Type)



(Unit: mm)

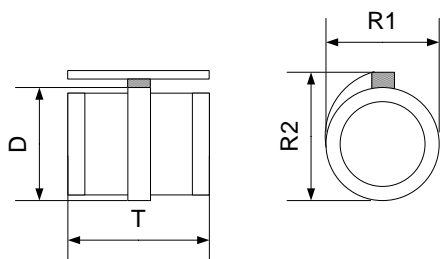
Item	Dimensions	
	Spec.	Tolerance
D	6.0	+0.2/-0.5
T	8.5	$\pm 0.5$

F = with fail-safe clip for optional



(Unit: mm)

Item	Dimensions	
	Spec.	Tolerance
R1	6.3	$\pm 0.3$
R2	7.6	$\pm 0.4$
T1	11.5	+0.8/-0.5
L	7.5	$\pm 0.5$
S	3.8	$\pm 0.3$
d	0.8	$\pm 0.05$



(Unit: mm)

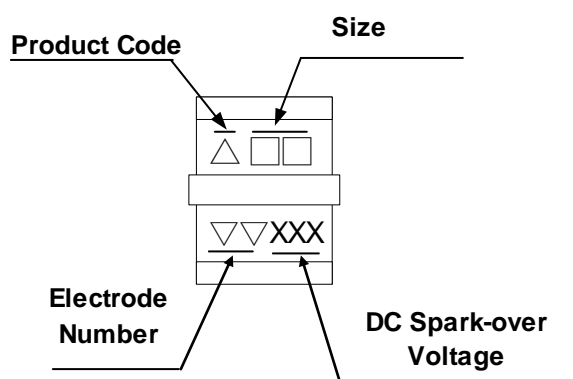
Item	Dimensions	
	Spec.	Tolerance
D	6.0	+0.2/-0.5
T	8.5	$\pm 0.5$
R1	6.3	$\pm 0.3$
R2	7.6	$\pm 0.4$

# Gas Discharge Tube: GC6 Series

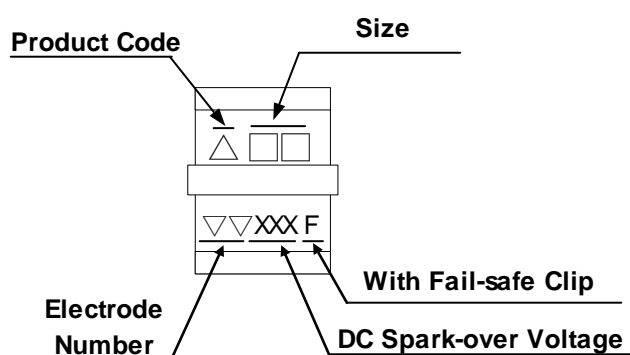
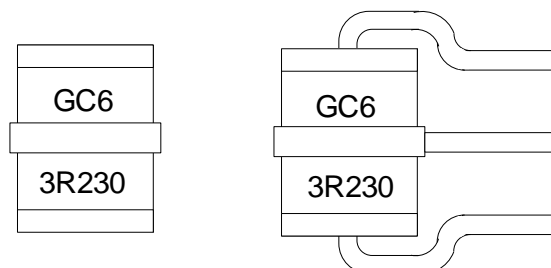
## 3-Electrode $\Phi 6.0$ x T8 mm Type



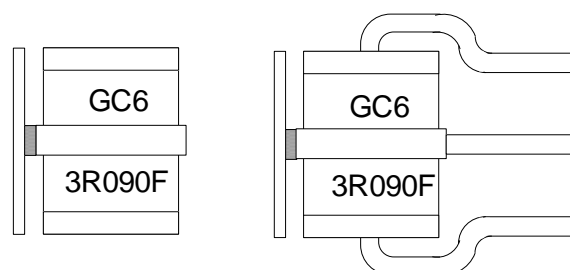
### ■ Marking



#### Example



#### Example



### ■ Packaging

#### ● Bulk :

Quantity: 500pcs per Inner Box

Item	PS Box	Inner Box	Outside Box
Dimensions	200x210x10mm	210x225x60mm	300x245x225mm
Drawing			
Quantity	100pcs / PS Box	500pcs / Inner Box	2000pcs / Outside Box

### ■ Warehouse Storage Conditions of Products

#### ● Storage Conditions:

1. Storage Temperature:  $-10^{\circ}\text{C} \sim +40^{\circ}\text{C}$
2. Relative Humidity:  $\leq 75\% \text{RH}$
3. Keep away from corrosive atmosphere and sunlight.

#### ● Period of Storage: 1 year