

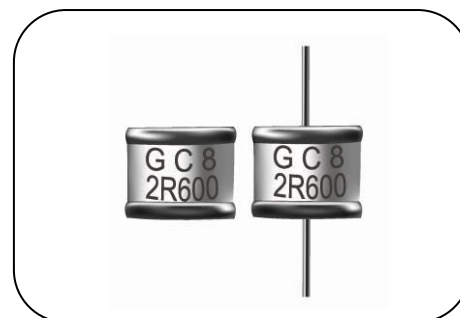
Gas Discharge Tube: GC8 Series

2-Electrode $\Phi 8.0$ x T8 mm High Voltage Type



■ Features

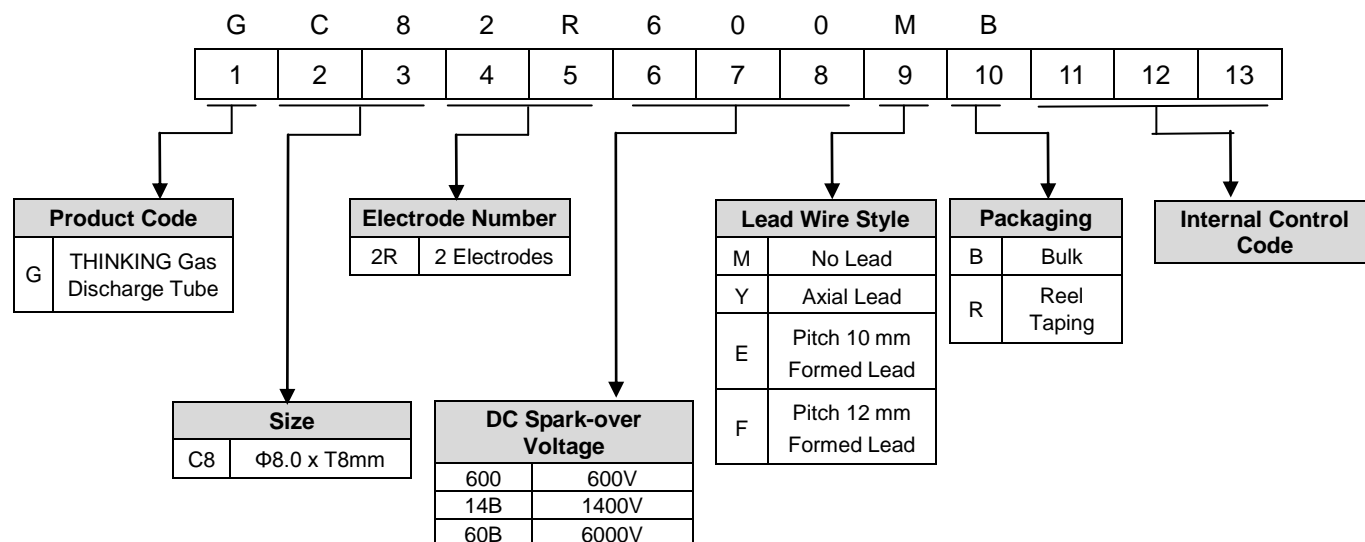
1. RoHS & HF compliant
2. Rugged ceramic-metal construction
3. Available with or without leads
4. DC spark-over voltage: 600~6000V
5. Low capacitance
6. Agency recognition: UL / cUL
7. Operating temperature: $-40^{\circ}\text{C} \sim +85^{\circ}\text{C}$
Storage temperature: $-40^{\circ}\text{C} \sim +115^{\circ}\text{C}$



■ Recommended Applications

1. Modem
2. xDSL splitter
3. CATV system
4. Power supply
5. Consumer electronics
6. Communication lines

■ Part Number Code



Gas Discharge Tube: GC8 Series

2-Electrode $\Phi 8.0$ x T8 mm High Voltage Type



■ Characteristics

Part No.	DC Spark-over Voltage	Max. Impulse Breakdown Voltage		Max. Impulse Discharge Current (8/20 μ s)		Impulse Life (10/1000 μ s)	Normal Alternating Discharge Current	Minimum Insulation Resistance	Maximum Capacitance (1MHz)	Safety Approvals	
	100V/S	100V/ μ s	1KV/ μ s	1 time	10 times	100A	50Hz, 1Sec				
	(V)	(V)	(V)	(KA)		(Times)	(A)				(G Ω)
GC82R600□□	600 \pm 20%	1000	1100	8	5	100	5	1	1.5	√	
GC82R800□□	800 \pm 20%	1100	1200							√	
GC82R10B□□	1000 \pm 20%	1300	1400							√	
GC82R14B□□	1400 \pm 20%	2100	2200							√	
GC82R16B□□	1600 \pm 20%	2300	2400							√	
GC82R20B□□	2000 \pm 20%	2700	2800							√	
GC82R25B□□	2500 \pm 20%	3500	3600							√	
GC82R27B□□	2700 \pm 20%	3600	3800	5	3	300*	3			√	
GC82R30B□□	3000 \pm 20%	4100	4200							√	
GC82R35B□□	3500 \pm 20%	4900	5000			100	2.5				√
GC82R40B□□	4000 \pm 20%	5300	5500								√
GC82R45B□□	4500 \pm 20%	5800	6000								√
GC82R50B□□	5000 \pm 20%	6000	6400								√
GC82R60B□□	6000 \pm 20%	7000	7800					√			

Note1: The first □ is style of lead wire, and the second □ is packaging.

Note2: * means products measured with an 8/20 μ s waveform, 100A

Note3: UL 1449 4th File No: E314979

Note4: Insulation resistance test conditions:

DC Spark-over Voltage	DC Measuring Voltage
600-1000V	250V
1400-2000V	500V
2500-6000V	1000V

Gas Discharge Tube: GC8 Series

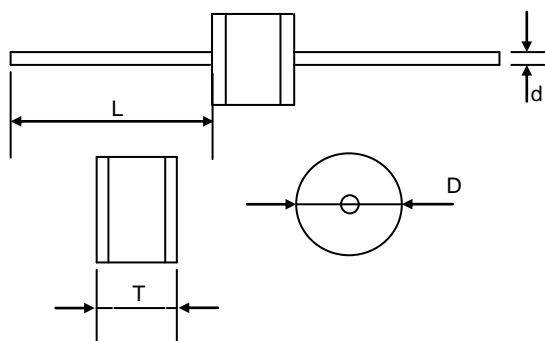
2-Electrode $\Phi 8.0$ x T8 mm High Voltage Type



Dimension

(Unit: mm)

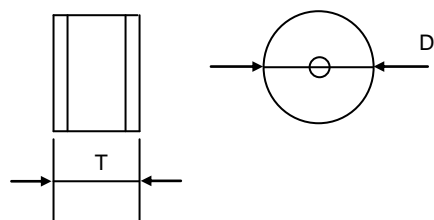
□ = Y (Axial Lead Type)



Item	Dimensions	
	Spec.	Tolerance
D	8.0	+0.3/-0.5
T	8.0&10.0	+0.6/-0.1
L	20	Min.
d	0.8	± 0.05

Note: T of GC82R50B□□ and GC82R60B□□ parts is 10mm, and others are 8mm.

□ = M (No Lead Type)

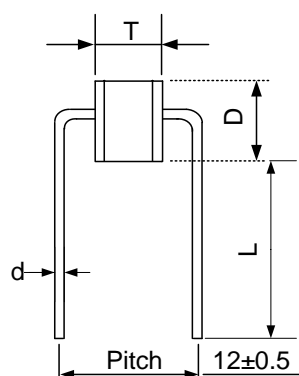


(Unit: mm)

Item	Dimensions	
	Spec.	Tolerance
D	8.0	+0.3/-0.5
T	8.0&10.0	+0.6/-0.1

Note: T of GC82R50B□□ and GC82R60B□□ parts is 10mm, and others are 8mm.

□ = E (Formed Lead)



(Unit: mm)

Item	Dimensions	
	Spec.	Tolerance
D	8.0	+0.3/-0.5
T	8.0	+0.6/-0.1
d	0.8	± 0.05
L	15.0	Min.
P	10.0	± 0.5

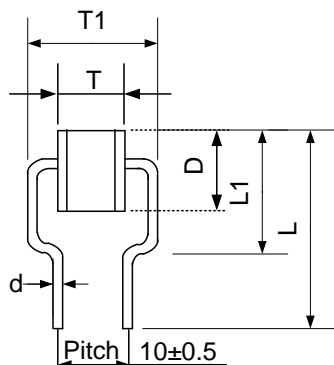
Note: Drawing of GC82R600□□ and GC82R45B□□ is for E Formed Lead.

Gas Discharge Tube: GC8 Series

2-Electrode $\Phi 8.0$ x T8 mm High Voltage Type



□ = E (Formed Lead)

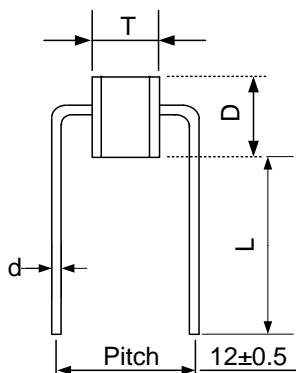


(Unit: mm)

Item	Dimensions	
	Spec.	Tolerance
D	8.0	+0.3/-0.5
T	8.0&10.0	+0.6/-0.1
T1	10.0	± 0.5
d	0.8	± 0.05
L	18.0	Min.
L1	10.5	± 0.5
P	10.0	± 0.5

Note: Drawing of GC82R50B□□ and GC82R60B□□ is for E Formed Lead.

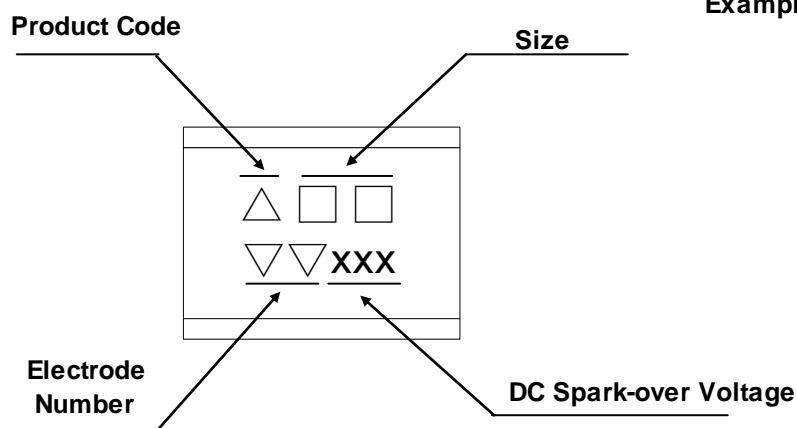
□ = F (Formed Lead)



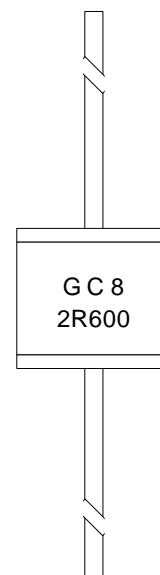
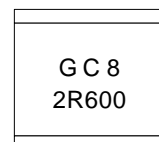
(Unit: mm)

Item	Dimensions	
	Spec	Tolerance
D	8.0	+0.3/-0.5
T	8.0&10.0	+0.6/-0.1
d	0.8	± 0.05
L	15.0	Min.
P	12	± 0.5

■ Marking



Example



Gas Discharge Tube: GC8 Series

2-Electrode $\Phi 8.0$ x T8 mm High Voltage Type



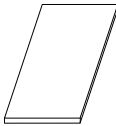
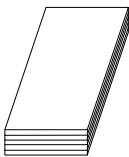
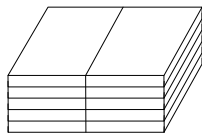
■ Packaging

● Bulk

- ◆ For Axial Lead (Y Type):

Quantity: 500pcs per Inner Box

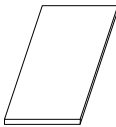
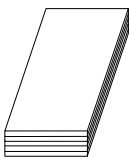
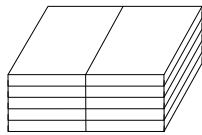
(Unit: mm)

Item	PS Box	Inner Box	Outside Box
Dimensions	252×135×10mm	270×145×50mm	300×245×180mm
Drawing			
Quantity	100pcs / PS Box	500pcs / Inner Box	2000pcs / Outside Box

- ◆ For No Lead (M Type) :

Quantity: 500pcs per Inner Box

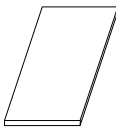
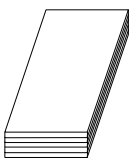
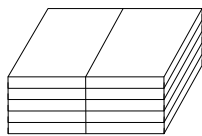
(Unit: mm)

Item	PS Box	Inner Box	Outside Box
Dimensions	200×210×10mm	210×225×60mm	300×245×225mm
Drawing			
Quantity	100pcs / PS Box	500pcs / Inner Box	2000pcs / Outside Box

- ◆ For Formed Lead (E or F Type) :

Quantity: 500pcs per Inner Box

(Unit: mm)

Item	PS Box	Inner Box	Outside Box
Dimensions	263×144×8mm	270×145×50mm	300×245×180mm
Drawing			
Quantity	100pcs / PS Box	500pcs / Inner Box	2000pcs / Outside Box

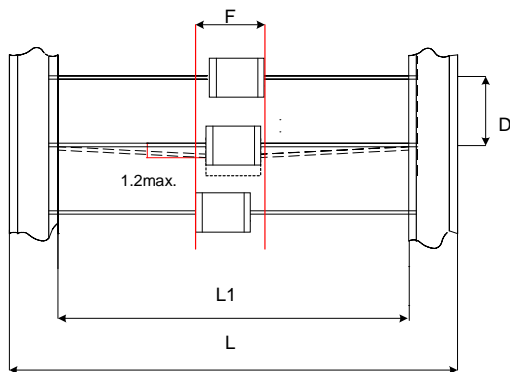
Gas Discharge Tube: GC8 Series

2-Electrode $\Phi 8.0$ x T8 mm High Voltage Type



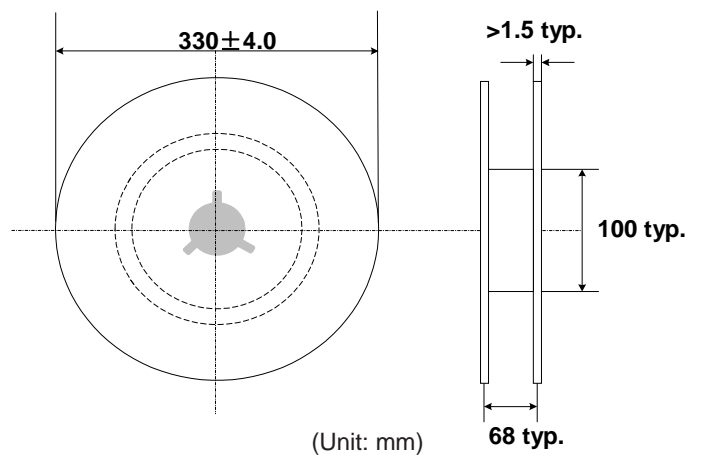
- Taping

For 2-electrode Axial Lead GDT: 500 PCS/Reel



(Unit: mm)

Item	Dimensions	
	Spec.	Tolerance
L1	52	± 2
L	64	± 3
D	10	± 0.5
F	T + 1.4	Max.



(Unit: mm)

■ Warehouse Storage Conditions of Products

- Storage Conditions:

1. Storage Temperature: $-10^{\circ}\text{C} \sim +40^{\circ}\text{C}$
2. Relative Humidity: $\leq 75\% \text{RH}$
3. Keep away from corrosive atmosphere and sunlight.

- Period of Storage: 1 year