

# Gas Discharge Tube: GF3 Series

## SMD L4.5 x W3.2 x H2.7 mm Type



### ■ Features

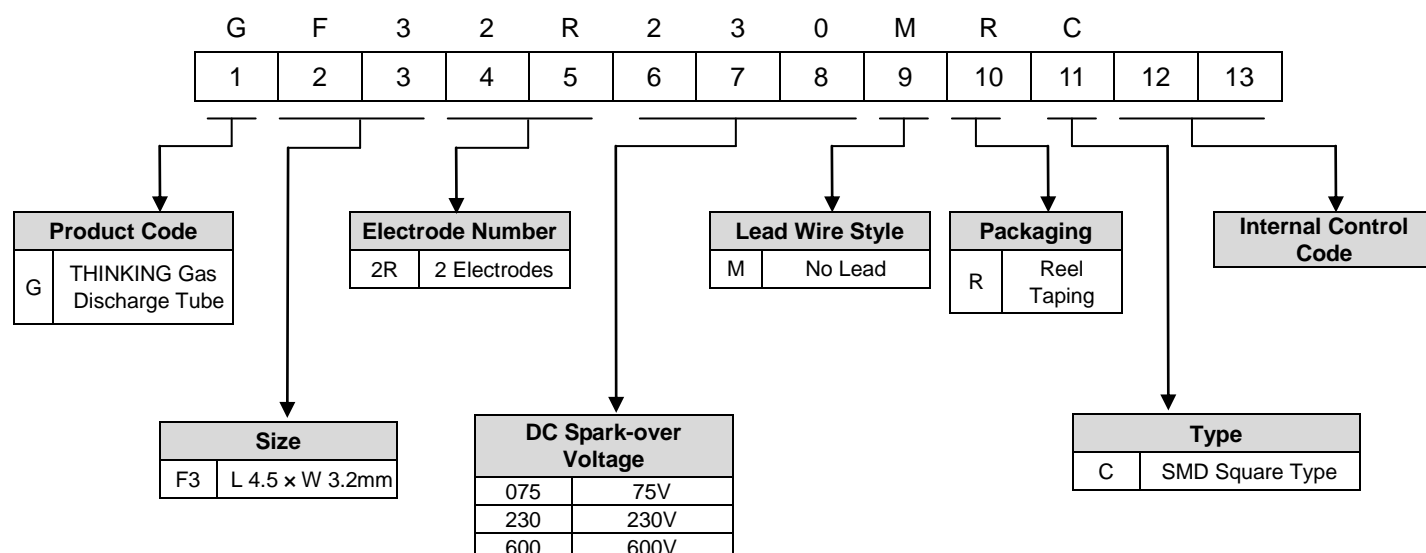
1. RoHS & HF compliant
2. SMD structure
3. DC spark-over voltage: 75~600V
4. Low capacitance
5. Agency recognition: UL
6. Operating temperature: -40°C ~ +85°C  
Storage temperature: -40°C ~ +115°C



### ■ Recommended Applications

1. Cable modem
2. xDSL
3. Set-top box
4. TV sets
5. Ethernet port
6. Consumer electronics

### ■ Part Number Code



# Gas Discharge Tube: GF3 Series

## SMD L4.5 x W3.2 x H2.7 mm Type



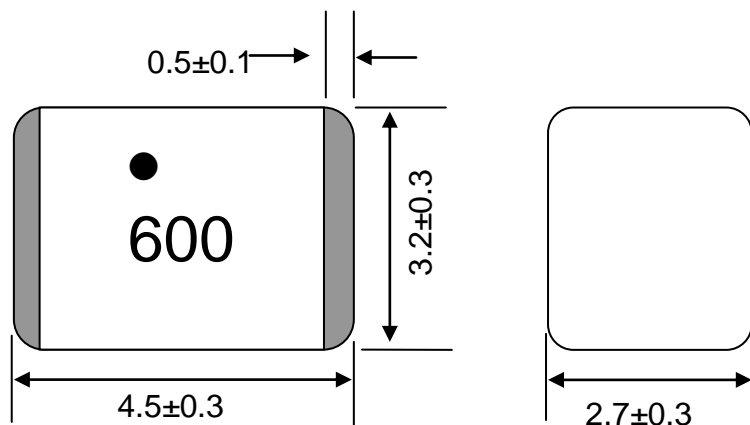
### Characteristics

Part No.	DC Spark-over Voltage	Max. Impulse Discharge Current	Impulse Withstanding Voltage Capacity	Impulse Life	Minimum Insulation Resistance	Maximum Capacitance	Safety Approvals
	100V/S	8/20 $\mu$ s	10/700 $\mu$ s	8/20 $\mu$ s, 100A			
	(V)	(KA)	(KV)	(Times)			
GF32R075MRC	75 (55~95)	3KA (Positive/ Negative 5 Times)	6KV R=40 $\Omega$ (Positive/ Negative 5 Times)	300	Min. 1000 (@DC 50V)	0.5	√
GF32R090MRC	90 (63~117)						√
GF32R120MRC	120 (84~156)						√
GF32R150MRC	150 (105~195)				√		
GF32R200MRC	200 (140~260)				√		
GF32R230MRC	230 (161~299)				√		
GF32R300MRC	300 (210~390)				√		
GF32R350MRC	350 (245~455)				√		
GF32R400MRC	400 (280~520)				√		
GF32R420MRC	420 (294~546)				√		
GF32R470MRC	470 (329~611)				√		
GF32R500MRC	500 (350~650)				√		
GF32R600MRC	600 (420~780)				√		

Note1: UL 497B File No : E245070

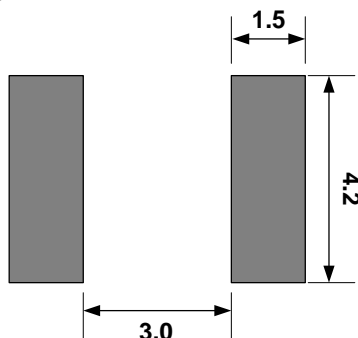
### Dimension

(Unit: mm)



### Recommended Pad Size

(Unit: mm)



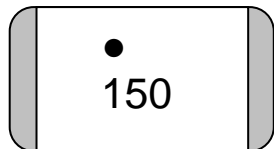
# Gas Discharge Tube: GF3 Series

## SMD L4.5 x W3.2 x H2.7 mm Type



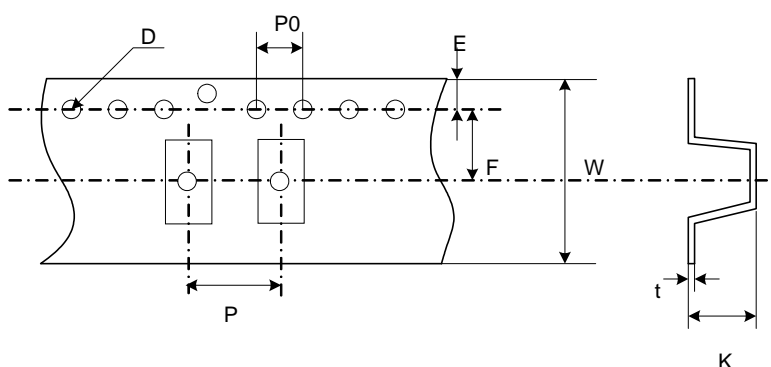
### ■ Marking

Example: GF32R150MRC



### ■ Packaging

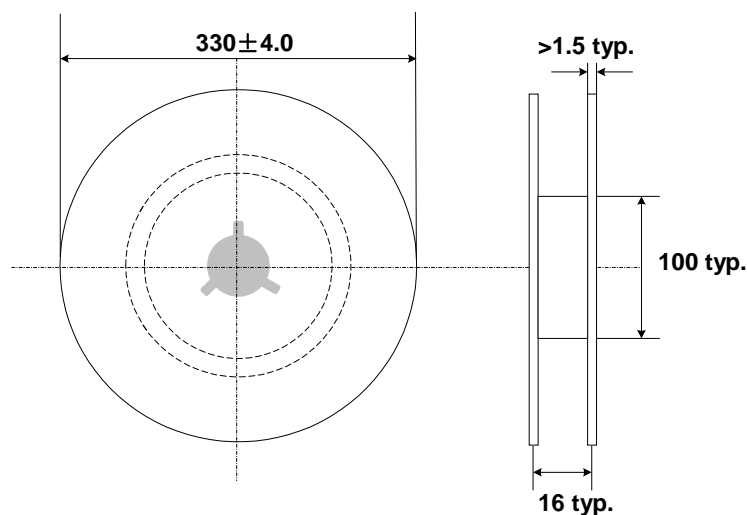
#### ● Taping



Quantity: 2,500 pcs per reel (13")

Unit: mm

ITEM	P	P0	W	F	E	D	K	t
Spec.	8.0	4.0	12.0	5.45	1.75	Φ1.55	3.1	0.4
Tolerance	±0.1	±0.1	±0.3	±0.1	±0.1	±0.05	±0.1	±0.05



### ■ Warehouse Storage Conditions of Products

#### ● Storage Conditions:

1. Storage Temperature: -10°C ~ +40°C
2. Relative Humidity: ≤ 75%RH
3. Keep away from corrosive atmosphere and sunlight.

#### ● Period of Storage: 1 year