

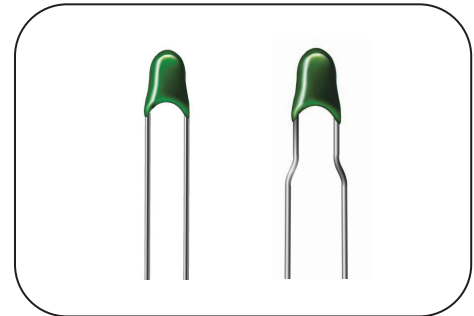
# NTC Thermistor : TTC3 Series



## Φ3 mm Lead Type for Temperature Sensing/Compensation

### ■ Features

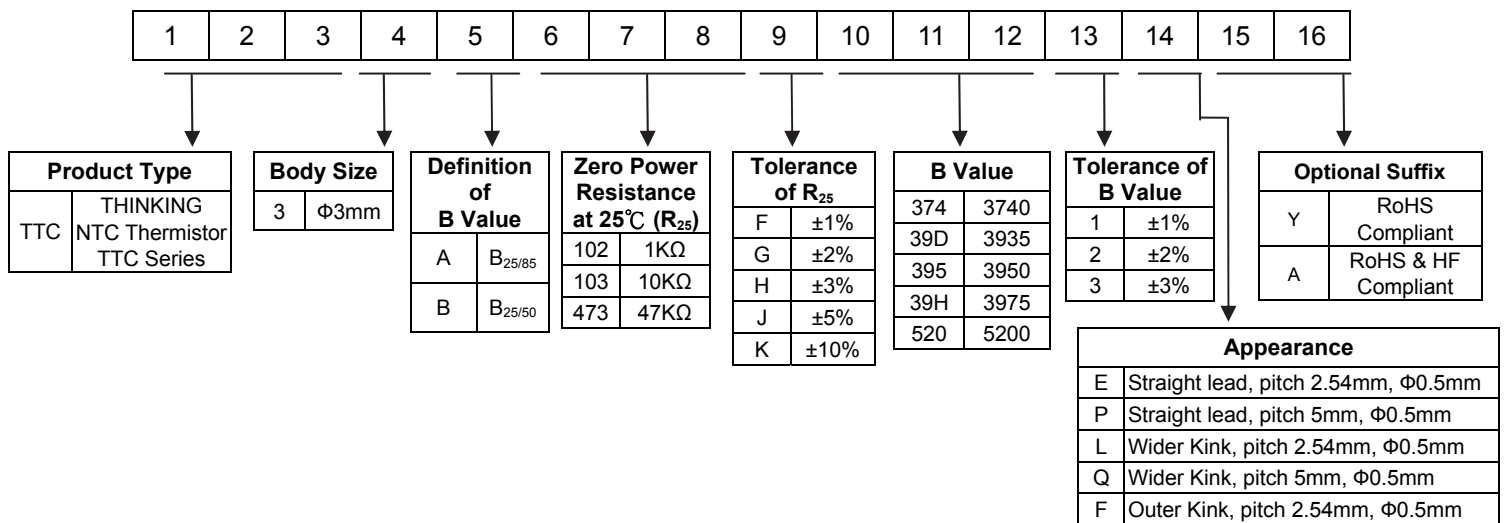
1. RoHS compliant
2. Halogen-Free(HF) series are available
3. Body size: Φ3mm
4. Radial lead resin coated
5. Operating temperature range: -40°C~+125°C
6. Wide resistance range
7. Cost effective
8. Agency recognition: UL / cUL / TUV / CQC



### ■ Recommended Applications

1. Home appliances
2. Computers
3. Digital meters
4. Switch mode power supplies
5. Adapters

### ■ Part Number Code

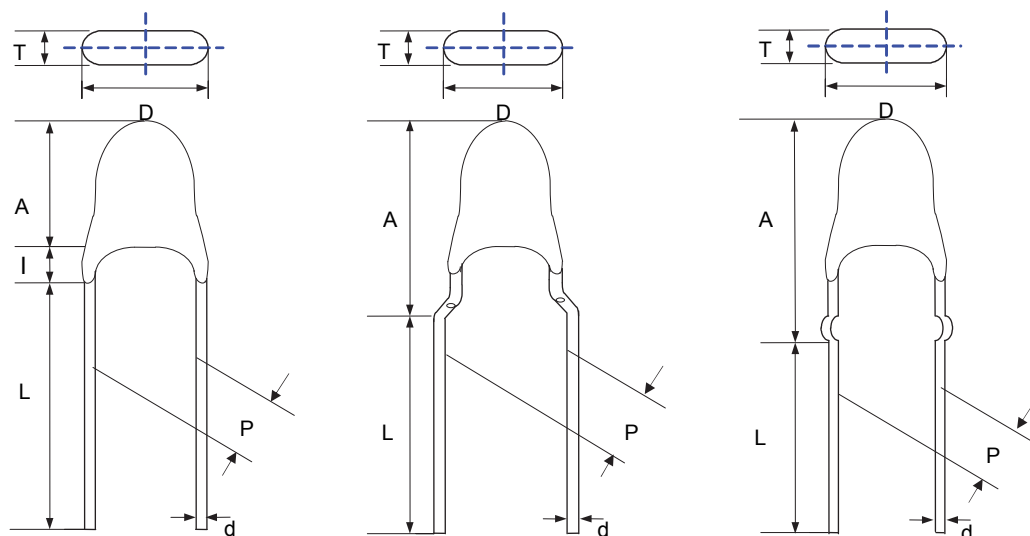


# NTC Thermistor : TTC3 Series



Φ3 mm Lead Type for Temperature Sensing/Compensation

## ■ Structure and Dimensions



**Straight Lead**

**Wider Kink**

**Outer Kink**

(Unit: mm)

Lead Type	P	D <sub>max.</sub>	T <sub>max.</sub>	A <sub>max.</sub>	I <sub>max.</sub>	L	d
Straight Lead	2.54±0.5	4	3	5	3	30~40	0.5±0.02
	5±0.5	6.5	5	7	3		
Wider Kink	2.54±0.5	4	3	6	--		
	5±0.5	4	3	10	--		
Outer Kink	2.54±0.5	4	3	13.5	--	24.5~34.5	

# NTC Thermistor : TTC3 Series



Φ3 mm Lead Type for Temperature Sensing/Compensation

## Electrical Characteristics

Part No.	Zero Power Resistance at 25°C	Tolerance of R <sub>25</sub> (±%)	B Value (K)	Tolerance of B value (±%)	Max. Power Dissipation at 25°C P <sub>max</sub> (mW)	Dissipation Factor δ(mW/°C)	Thermal Time Constant τ (Sec.)	Operating Temperature Range T <sub>L</sub> ~T <sub>U</sub> (°C)	Safety Approvals		
	R <sub>25</sub> (KΩ)								UL cUL	TUV	CQC
TTC3A901□39D*	0.9	1、2、3、5	25/85	2、3	150	≧2.5	≦18	-40~+125	√	√	√
TTC3A102□39D*	1								√	√	√
TTC3A152□39D*	1.5								√	√	√
TTC3A202□39H*	2								√	√	√
TTC3A222□39H*	2.2								√	√	√
TTC3A272□39H*	2.7								√	√	√
TTC3A302□39H*	3								√	√	√
TTC3A332□39H*	3.3								√	√	√
TTC3A472□39H*	4.7								√	√	√
TTC3A482□395*	4.8								√	√	
TTC3A482□39H*	4.8								√	√	
TTC3A502□39H*	5								√	√	√
TTC3A682□39H*	6.8								√	√	√
TTC3A103□34D*	10								√	√	√
TTC3A103□374*	10								√	√	√
TTC3A103□39H*	10			√					√	√	
TTC3A123□374*	12			√					√	√	
TTC3A153□374*	15			√					√	√	
TTC3A203□374*	20			√					√	√	
TTC3A203□426*	20			√					√	√	
TTC3A223□374*	22			√					√	√	
TTC3A333□409*	33			√					√	√	
TTC3A473□409*	47			√					√	√	
TTC3A503□39H*	50			√					√	√	
TTC3A503□406*	50			√					√	√	
TTC3A683□419*	68			√					√	√	
TTC3A104□419*	100			√					√	√	
TTC3A104□436*	100			√					√	√	
TTC3A154□437*	150			√					√	√	
TTC3A204□385*	200			√					√		
TTC3A224□437*	220	√	√	√							
TTC3A334□457*	330	√	√	√							
TTC3A474□457*	470	√	√	√							
TTC3A474□520*	470	√	√	√							
TTC3B202□350*	2	25/50	3500	2、3	√	√	√				
TTC3B473□39D*	47			1、2、3	√	√	√				
TTC3B503□440*	50				2、3	√	√	√			
TTC3B434□507*	430			√		√					
TTC3B474□520*	470			3	√	√	√				

Note 1: □ = Tolerance of R<sub>25</sub>

\* = Tolerance of B value

Note 2: UL/cUL File No: E138827, TUV File No: R50050155

CQC File No: CQC04001011945, CQC04001011966

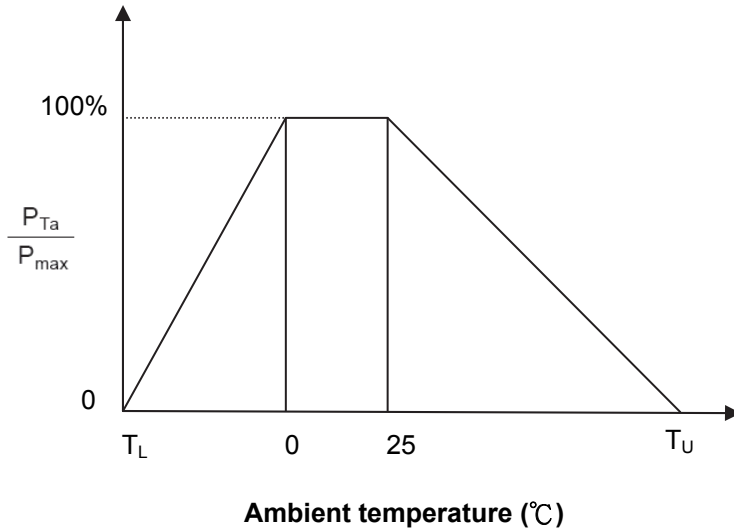
Note 3: Special specifications are available upon request.

# NTC Thermistor : TTC3 Series



Φ3 mm Lead Type for Temperature Sensing/Compensation

## Max. Power Dissipation Derating Curve



$T_U$  : Maximum operating temperature (°C)

$T_L$  : Minimum operating temperature (°C)

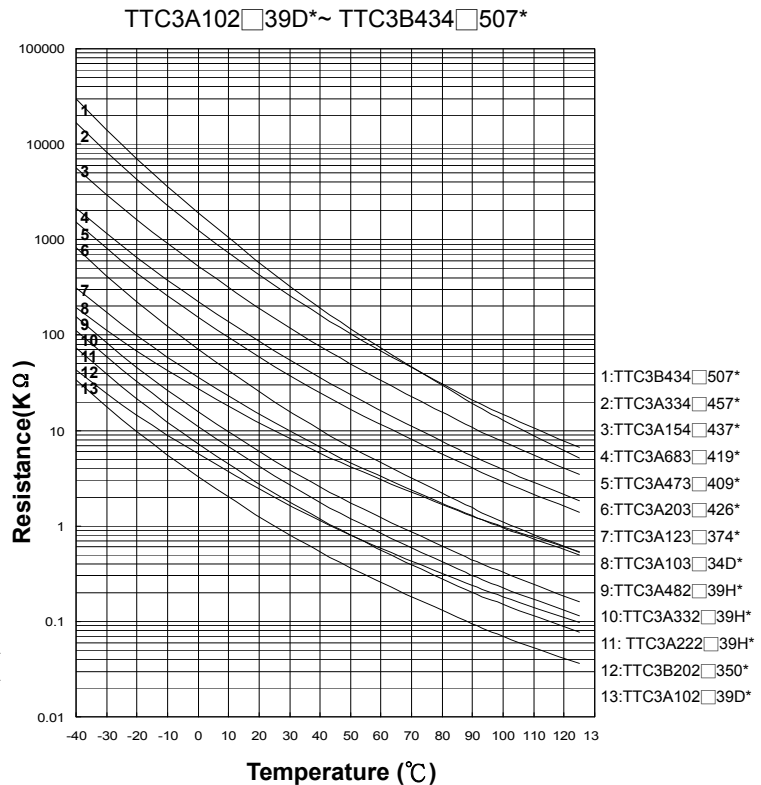
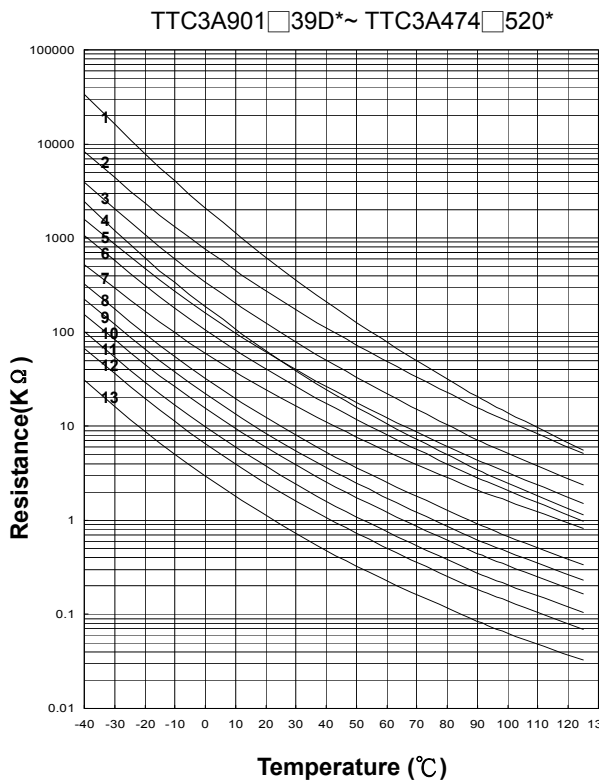
For example:

Ambient temperature( $T_a$ ) = 55°C

Maximum operating temperature( $T_U$ ) = 125°C

$$P_{Ta} = (T_U - T_a) / (T_U - 25) \times P_{max} = 70\% P_{max}$$

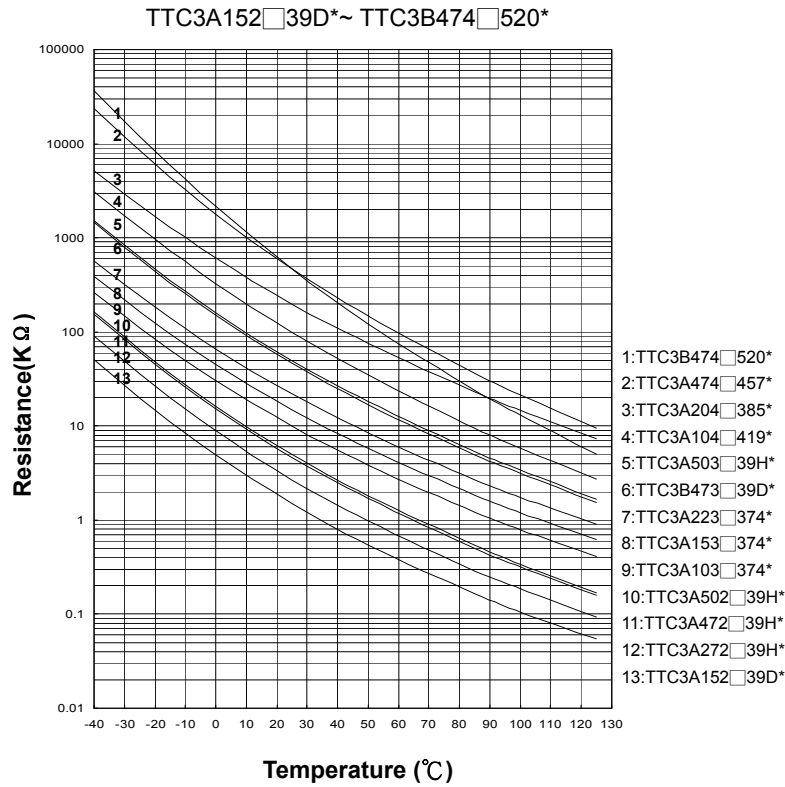
## R-T Characteristic Curves



# NTC Thermistor : TTC3 Series

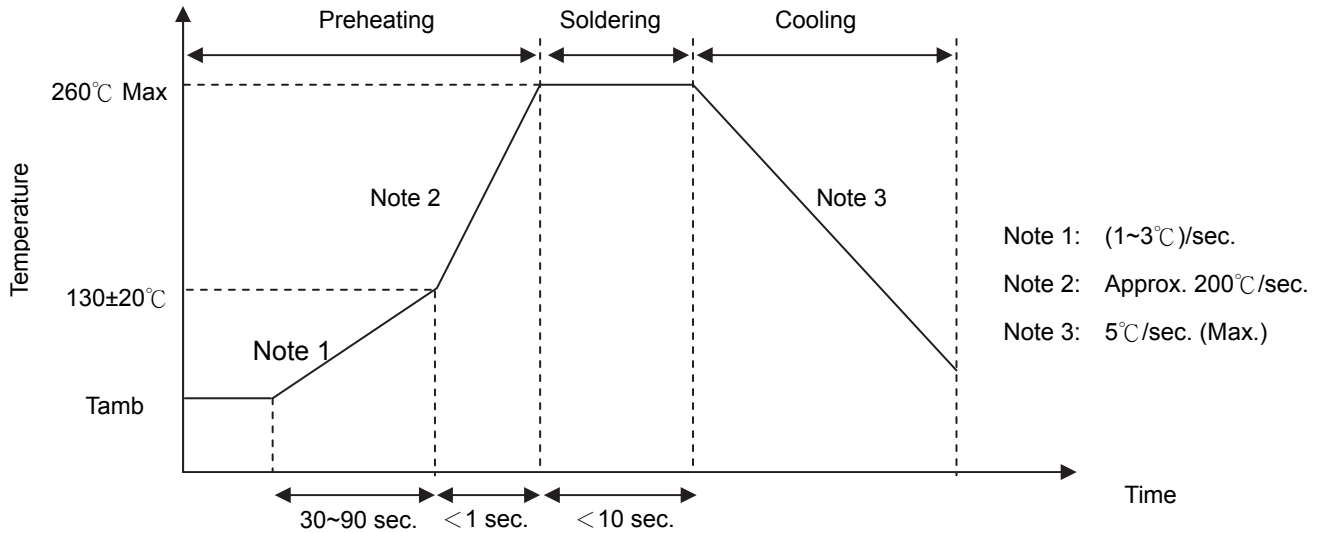


Φ3 mm Lead Type for Temperature Sensing/Compensation



## ■ Soldering Recommendation

### ● Wave Soldering Profile



### ● Recommended Reworking Conditions with Soldering Iron

Item	Conditions
Temperature of Soldering Iron-tip	$360^\circ\text{C}$ (max.)
Soldering Time	3 sec. (max.)
Distance from Thermistor	2 mm (min.)

# NTC Thermistor : TTC3 Series



## Φ3 mm Lead Type for Temperature Sensing/Compensation

### ■ Reliability

Item	Standard	Test conditions / Methods	Specifications															
Tensile Strength of Terminations	IEC 60068-2-21	<p>Gradually apply the specified force and keep the unit fixed for 10±1 sec.</p> <table style="width: 100%; border-collapse: collapse;"> <tr> <td style="text-align: center; width: 50%;">Terminal diameter (mm)</td> <td style="text-align: center; width: 50%;">Force (Kg)</td> </tr> <tr> <td style="text-align: center; border-top: 1px solid black;">0.3&lt;d≤0.5</td> <td style="text-align: center; border-top: 1px solid black;">0.5</td> </tr> </table>	Terminal diameter (mm)	Force (Kg)	0.3<d≤0.5	0.5	No visible damage											
Terminal diameter (mm)	Force (Kg)																	
0.3<d≤0.5	0.5																	
Bending Strength of Terminations	IEC 60068-2-21	<p>Hold specimen and apply the force specified below to each lead. Bend the specimen to 90°, and then return to the original position. Repeat the procedure in the opposite direction.</p> <table style="width: 100%; border-collapse: collapse;"> <tr> <td style="text-align: center; width: 50%;">Terminal diameter (mm)</td> <td style="text-align: center; width: 50%;">Force (Kg)</td> </tr> <tr> <td style="text-align: center; border-top: 1px solid black;">0.3&lt;d≤0.5</td> <td style="text-align: center; border-top: 1px solid black;">0.25</td> </tr> </table>	Terminal diameter (mm)	Force (Kg)	0.3<d≤0.5	0.25	No visible damage											
Terminal diameter (mm)	Force (Kg)																	
0.3<d≤0.5	0.25																	
Solderability	IEC 60068-2-20	245±3 °C, 3±0.3 sec.	At least 95% of terminal electrode is covered by new solder															
Resistance to Soldering Heat	IEC 60068-2-20	260 ± 3°C, 10 ± 1 sec.	No visible damage   ΔR <sub>25</sub> /R <sub>25</sub>   ≤ 3 %															
High Temperature Storage	IEC 60068-2-2	125 ± 5°C, 1000 ± 24 hrs	No visible damage   ΔR <sub>25</sub> /R <sub>25</sub>   ≤ 5 %															
Damp Heat, Steady State	IEC 60068-2-78	40 ± 2°C, 90~95% RH, 1000 ± 24 hrs	No visible damage   ΔR <sub>25</sub> /R <sub>25</sub>   ≤ 3 %															
Rapid Change of Temperature	IEC 60068-2-14	<p>The conditions shown below shall be repeated 5 cycles</p> <table border="1" style="width: 100%; border-collapse: collapse; text-align: center;"> <thead> <tr> <th>Step</th> <th>Temperature (°C)</th> <th>Period (minutes)</th> </tr> </thead> <tbody> <tr> <td>1</td> <td>-40 ± 5</td> <td>30 ± 3</td> </tr> <tr> <td>2</td> <td>Room temperature</td> <td>5 ± 3</td> </tr> <tr> <td>3</td> <td>125 ± 5</td> <td>30 ± 3</td> </tr> <tr> <td>4</td> <td>Room temperature</td> <td>5 ± 3</td> </tr> </tbody> </table>	Step	Temperature (°C)	Period (minutes)	1	-40 ± 5	30 ± 3	2	Room temperature	5 ± 3	3	125 ± 5	30 ± 3	4	Room temperature	5 ± 3	No visible damage   ΔR <sub>25</sub> /R <sub>25</sub>   ≤ 3 %
Step	Temperature (°C)	Period (minutes)																
1	-40 ± 5	30 ± 3																
2	Room temperature	5 ± 3																
3	125 ± 5	30 ± 3																
4	Room temperature	5 ± 3																
Max. Power Dissipation	IEC 60539-1 4.26.3	25 ± 5°C, Pmax., 1000 ± 24 hrs	No visible damage   ΔR <sub>25</sub> /R <sub>25</sub>   ≤ 5 %															

# NTC Thermistor : TTC3 Series

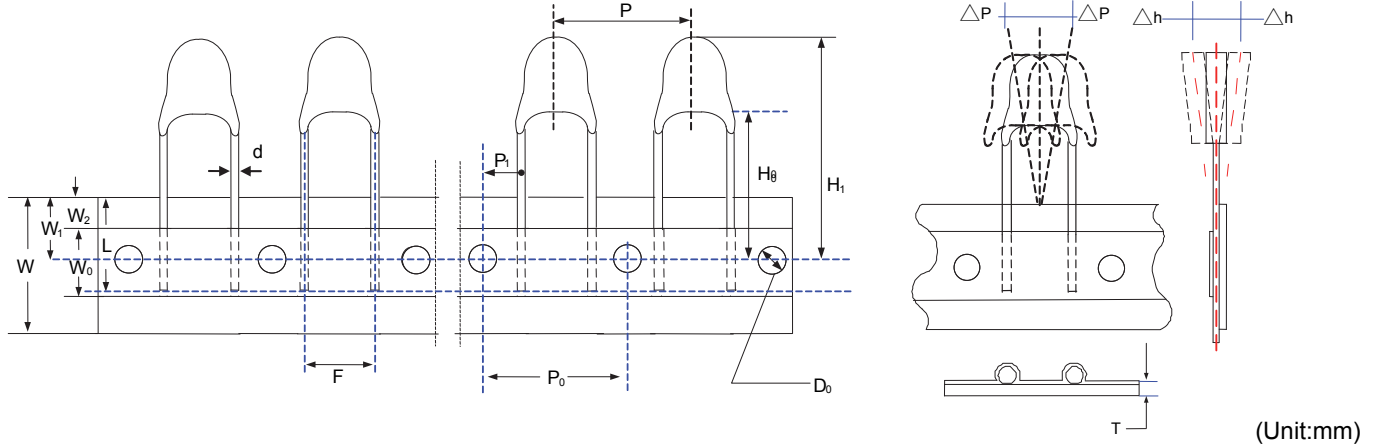


## Φ3 mm Lead Type for Temperature Sensing/Compensation

### ■ Packaging

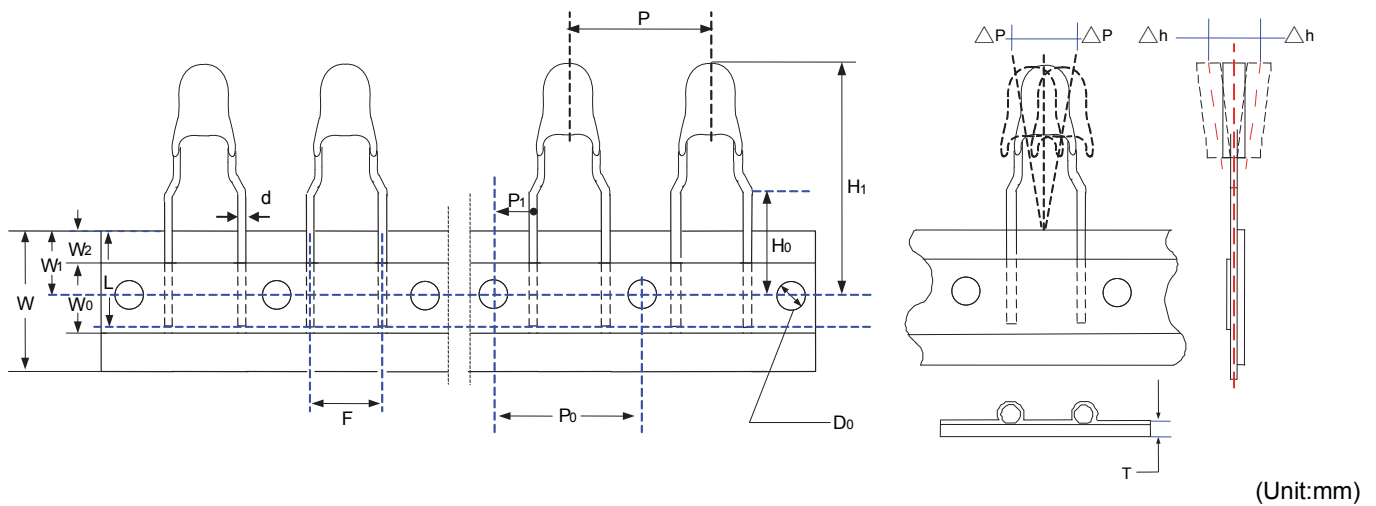
#### ● Taping Specification

#### Straight Lead



Taping Dimension	P <sub>0</sub>	F	P	P <sub>1</sub>	H <sub>0</sub>	H <sub>1</sub>	d	W <sub>0</sub>	W <sub>1</sub>	W <sub>2</sub>	W	ΔP	Δh	L	D <sub>0</sub>	T
	±0.3	±0.5	±1	±0.7	+2/-0	Max.	±0.02	±1	+0.75 /-0.5	Max.	+1/ -0.5	Max.	Max.	±1	±0.2	±0.2
P <sub>0</sub> =12.7	12.7	2.54	12.7	5.08	18	25	0.5	12	9	3	18	1	2	10	4	0.6
	12.7	5.00	12.7	3.85	18	25	0.5	12	9	3	18	1	2	10	4	0.6
P <sub>0</sub> =15.0	15.0	2.54	15.0	6.23	18	25	0.5	12	9	3	18	1	2	10	4	0.6
	15.0	5.00	15.0	5.00	18	25	0.5	12	9	3	18	1	2	10	4	0.6

#### Wider Kink



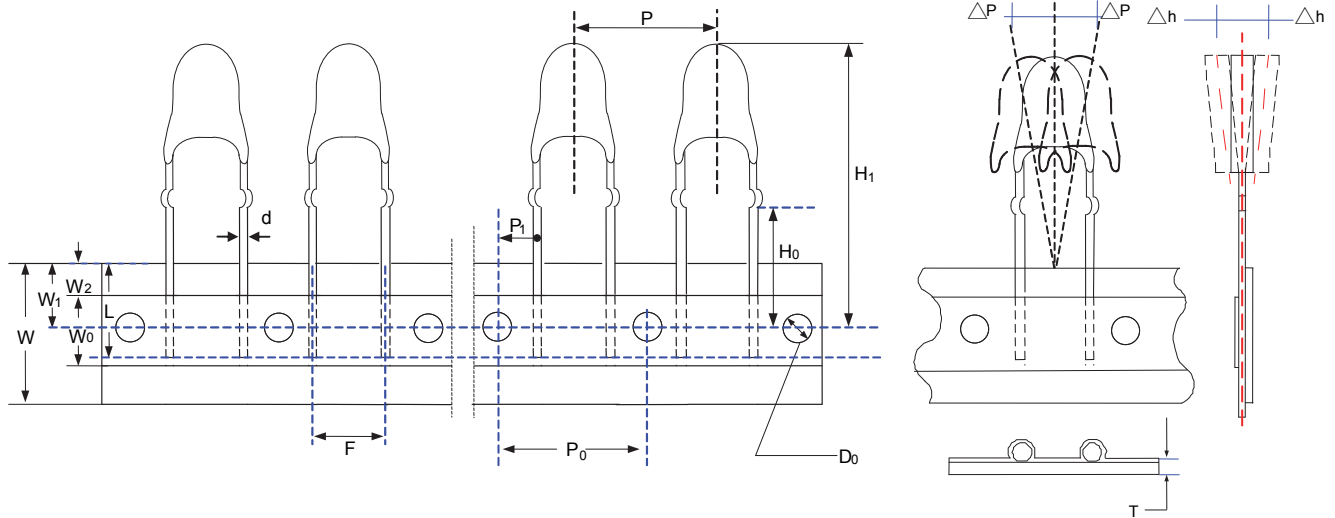
Taping Dimension	P <sub>0</sub>	F	P	P <sub>1</sub>	H <sub>0</sub>	H <sub>1</sub>	d	W <sub>0</sub>	W <sub>1</sub>	W <sub>2</sub>	W	ΔP	Δh	L	D <sub>0</sub>	T
	±0.3	±0.5	±1	±0.7	±0.5	Max.	±0.02	±1	+0.75 /-0.5	Max.	+1/ -0.5	Max.	Max.	±1	±0.2	±0.2
P <sub>0</sub> =12.7	12.7	2.54	12.7	5.08	16	26	0.5	12	9	3	18	1	2	10	4	0.6
	12.7	5.00	12.7	3.85	16	26	0.5	12	9	3	18	1	2	10	4	0.6

# NTC Thermistor : TTC3 Series



## Φ3 mm Lead Type for Temperature Sensing/Compensation

### Outer Kink



(Unit:mm)

Taping Dimension	P <sub>0</sub>	F	P	P <sub>1</sub>	H <sub>0</sub>	H <sub>1</sub>	d	W <sub>0</sub>	W <sub>1</sub>	W <sub>2</sub>	W	ΔP	Δh	L	D <sub>0</sub>	T
	±0.3	±0.5	±1	±0.7	±0.5	Max.	±0.02	±1	+0.75 /-0.5	Max.	+1/ -0.5	Max.	Max.	±1	±0.2	±0.2
P <sub>0</sub> =12.7	12.7	2.54	12.7	5.08	16	26	0.5	12	9	3	18	1	2	10	4	0.6

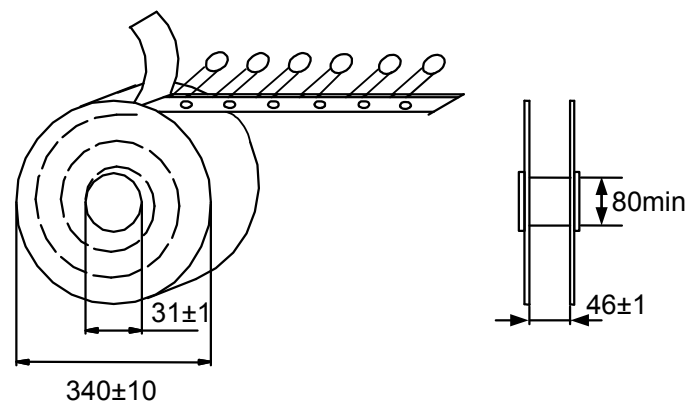
### Quantity

#### ● Bulk Packing

Series	Quantity (pcs/bag)
TTC3	500

#### ● Reel Packing

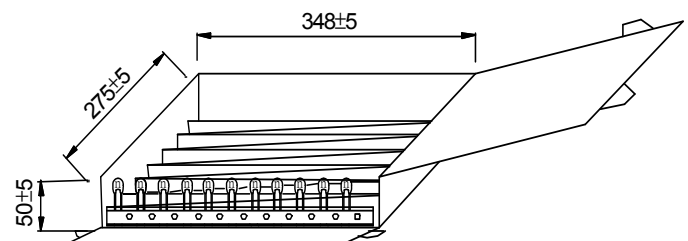
Series	Quantity (pcs/reel)
TTC3	2,500



(Unit: mm)

#### ● Ammo Packing

Series	Quantity (pcs/box)
TTC3	2,500



### Warehouse Storage Conditions of Products

#### ● Storage Conditions:

1. Storage Temperature: -10°C~+40°C
2. Relative Humidity: ≤75%RH
3. Keep away from corrosive atmosphere and sunlight.

#### ● Period of Storage : 1 year