

# Gas Discharge Tube: GR3 Series



## 2-Electrode $\Phi 2.8 \times T3.5$ mm Type

### ■ Features

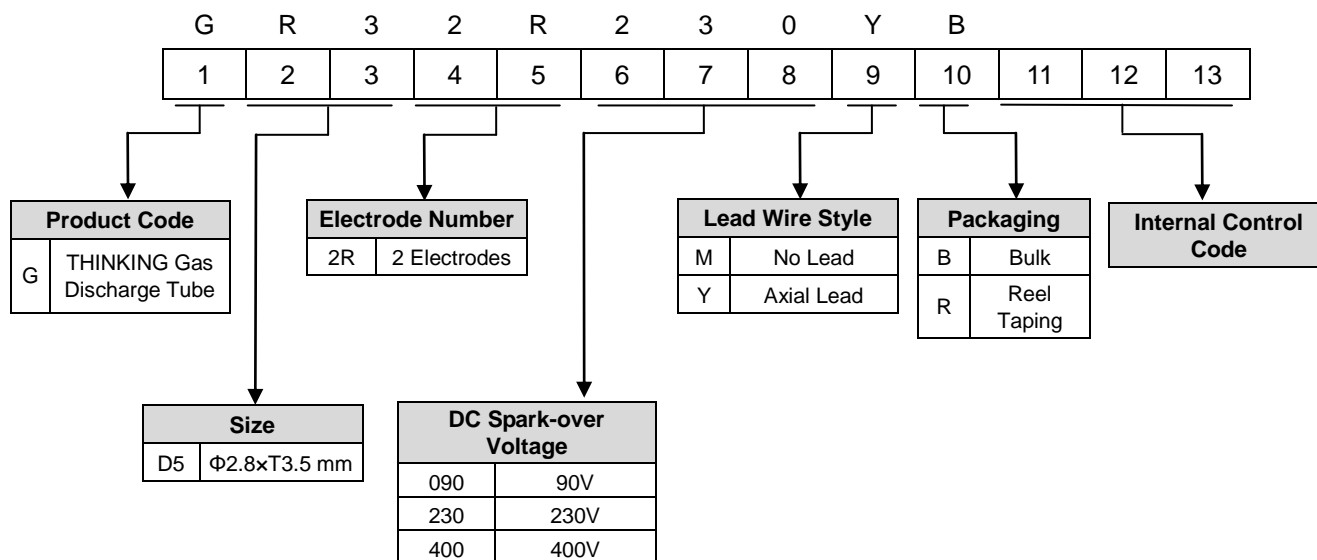
1. RoHS & HF compliant
2. Rugged ceramic-metal construction
3. Available lead wire
4. DC spark-over voltage: 90~400V
5. Low capacitance
6. Agency recognition: UL
7. Operating temperature:  $-40^{\circ}\text{C} \sim +85^{\circ}\text{C}$   
Storage temperature:  $-40^{\circ}\text{C} \sim +115^{\circ}\text{C}$



### ■ Recommended Applications

1. Cable modem
2. xDSL
3. Set-top box
4. TV sets
5. Power supply
6. Consumer electronics

### ■ Part Number Code



# Gas Discharge Tube: GR3 Series



## 2-Electrode $\Phi 2.8 \times T3.5$ mm Type

### ■ Characteristics

Part No.	DC Spark-over Voltage	Max. Impulse Breakdown Voltage		Max. Impulse Discharge Current (8/20 $\mu$ s)	Impulse Life (10/1000 $\mu$ s)	Normal Alternating Discharge Current	DC Holdover Voltage	Minimum Insulation Resistance	Maximum Capacitance (1MHz)	Safety Approvals
	100V/S	100V/ $\mu$ s	1KV/ $\mu$ s	10 times	100A	50Hz, 1Sec	<150ms			
	(V)	(V)	(V)	(KA)	(次)	(A)	(V)			
GR32R090□□	90 $\pm$ 20%	500	600	1	300	1	50	1	0.5	√
GR32R120□□	120 $\pm$ 20%	600	700				80			
GR32R150□□	150 $\pm$ 20%	500	600				80			
GR32R200□□	200 $\pm$ 20%	600	700				135			
GR32R230□□	230 $\pm$ 20%	600	700				135			
GR32R250□□	250 $\pm$ 20%	600	700				135			
GR32R350□□	350 $\pm$ 20%	750	900				135			
GR32R400□□	400 $\pm$ 20%	800	1000				135			

Note 1: The first □ is style of lead wire, and the second □ is packaging.

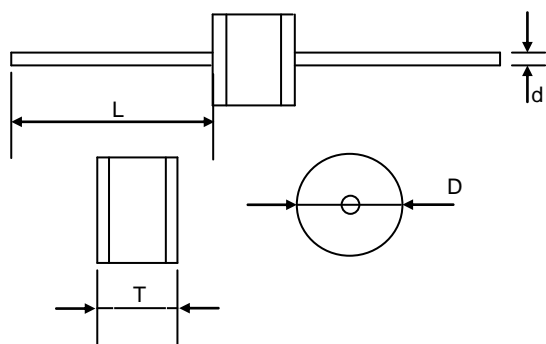
Note 2: UL 497B File No: E245070

Note 3: Insulation resistance test conditions:

DC Spark-over Voltage	DC Measuring Voltage
70-150V	50V
151-400V	100V

### 7. Dimension

□ = Y (Axial Lead type)



Unit: mm

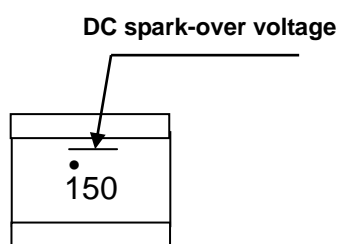
Item	Dimensions	
	Spec.	Tolerance
D	2.8	$\pm 0.2$
T	3.5	$\pm 0.2$
L	20	Min.
d	0.6	$\pm 0.05$

# Gas Discharge Tube: GR3 Series

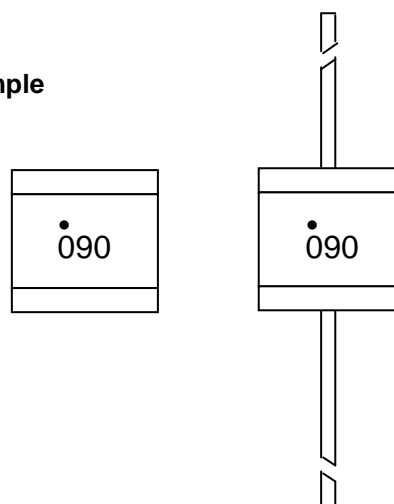


## 2-Electrode $\Phi 2.8 \times T3.5$ mm Type

### ■ Marking



Example



### ■ Packaging

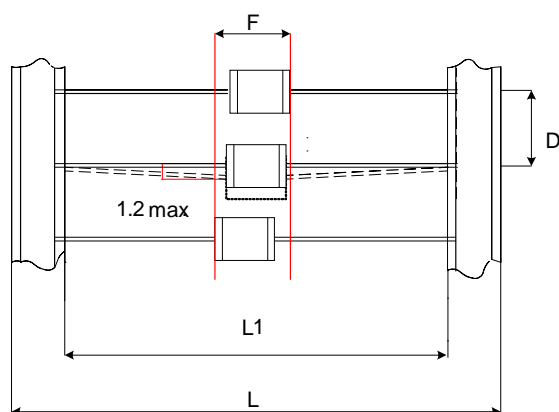
#### ● Bulk

- ◆ Axial lead type (Y Type)

Quantity: 100pcs per PVC Box, 800pcs per Inner Box

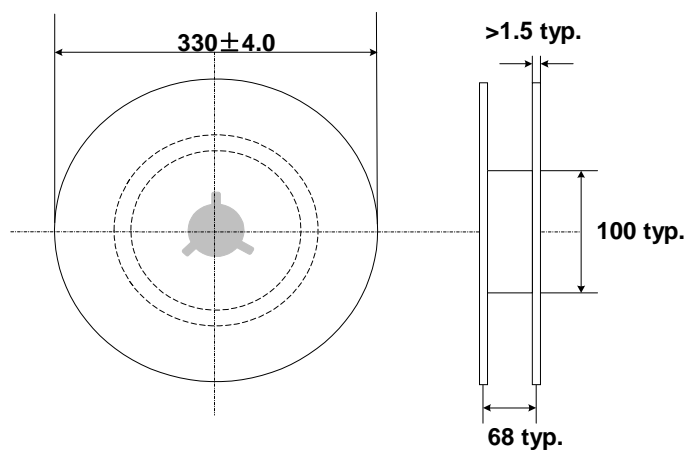
#### ● Taping

Axial lead type (Y Type): 2000 PCS/reel



Unit: mm

Item	Dimension	
	Spec.	Tolerance
L1	52	$\pm 2$
L	64	$\pm 3$
D	5	$\pm 0.5$
F	$T \pm 1.4$	Max.



# Gas Discharge Tube: GR3 Series

## 2-Electrode $\Phi 2.8$ x T3.5 mm Type

---



### ■ Warehouse Storage Conditions of Products

- Storage Conditions:
  1. Storage Temperature:  $-10^{\circ}\text{C} \sim +40^{\circ}\text{C}$
  2. Relative Humidity:  $\leq 75\% \text{RH}$
  3. Keep away from corrosive atmosphere and sunlight.
- Period of Storage: 1 year