

# Gas Discharge Tube: G30D12 Series



## 2-Electrode $\Phi$ 30 x T12mm High Surge Type

### ■ Features

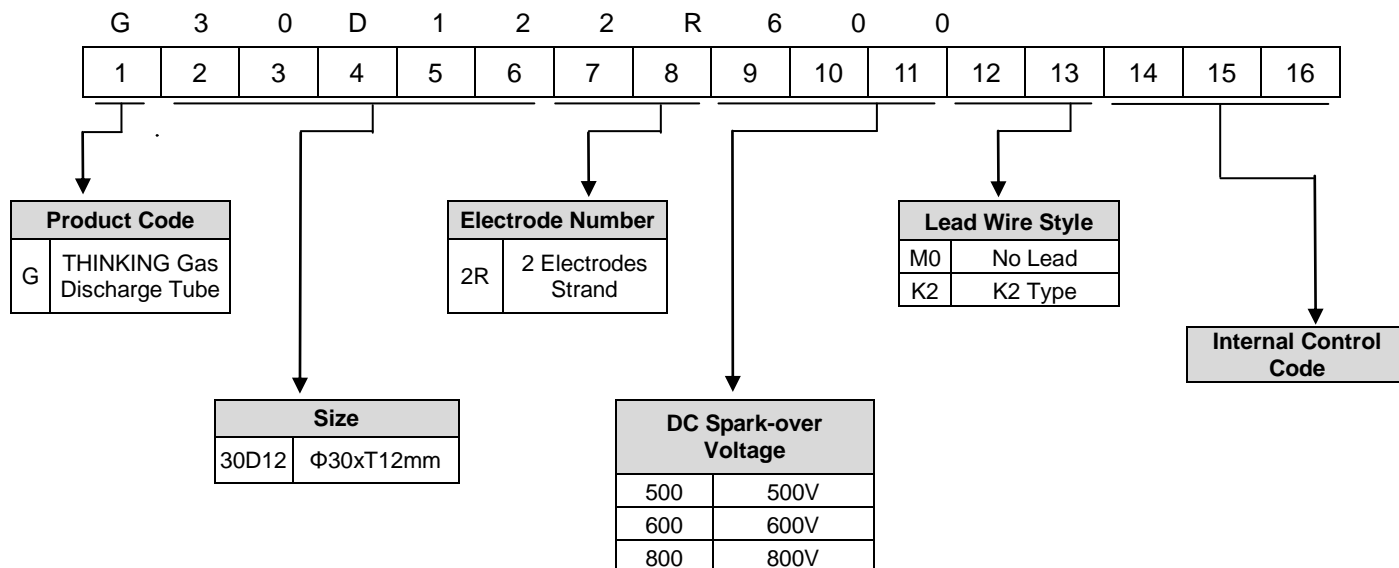
1. RoHS & HF compliant
2. Rugged ceramic-metal construction
3. DC spark-over voltage: 500~800V
4. Follow current at 50/60Hz: 100A
5. Max continuous operating voltage at 50/60Hz: 255V
6. Agency recognition: UL / cUL
7. Operating temperature:  $-40^{\circ}\text{C} \sim +85^{\circ}\text{C}$   
Storage temperature:  $-40^{\circ}\text{C} \sim +115^{\circ}\text{C}$



### ■ Recommended Applications

1. Power system
2. Industrial equipment
3. SPD module

### ■ Part Number Code



# Gas Discharge Tube: G30D12 Series



## 2-Electrode $\Phi 30$ x T12mm High Surge Type

### Characteristics

Part No.	DC Spark-over Voltage	Max. Impulse Discharge Current (10/350 $\mu$ s)	Max. Impulse Discharge Current (8/20 $\mu$ s)		Impulse Discharge Current (10/350 $\mu$ s & 8/20 $\mu$ s)	Maximum Impulse Breakdown Voltage	Follow Current	Max Continuous Operating Voltage	Maximum Capacitance (1MHz)	Minimum Insulation Resistance (G $\Omega$ )	Maximum Breakdown Time (ns)	Safety Approvals
	100V/S	1 time	1 time	10 times		1.2/50us 6KV	50/60Hz	50/60Hz				
	(V)	(KA)	(KA)			(KV)	(A)	(V)				
G30D122R500□□	400-600	40	160	100	6	1300	100	255	10	1	100	√
G30D122R600□□	480-720					1400	100	255				√
G30D122R800□□	640-940					1500	100	255				√

Note 1: The □□ is style of lead wire.

Note 2: UL 1449 4th File No: E314979.

Note 3: Insulation resistance test conditions:

DC Spark-over Voltage	DC Measuring Voltage
500-800V	250V

### Dimension

(Unit: mm)

Figure 1

M0 : No Lead

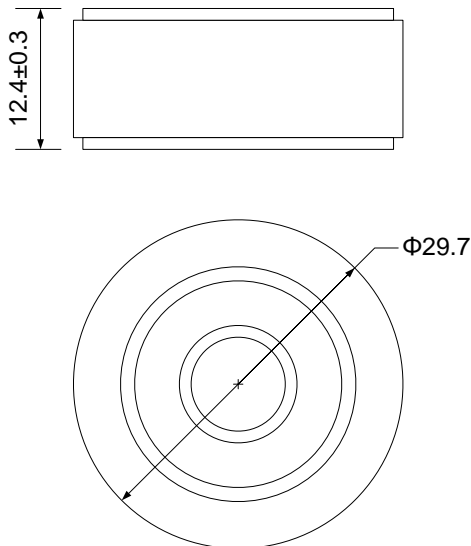
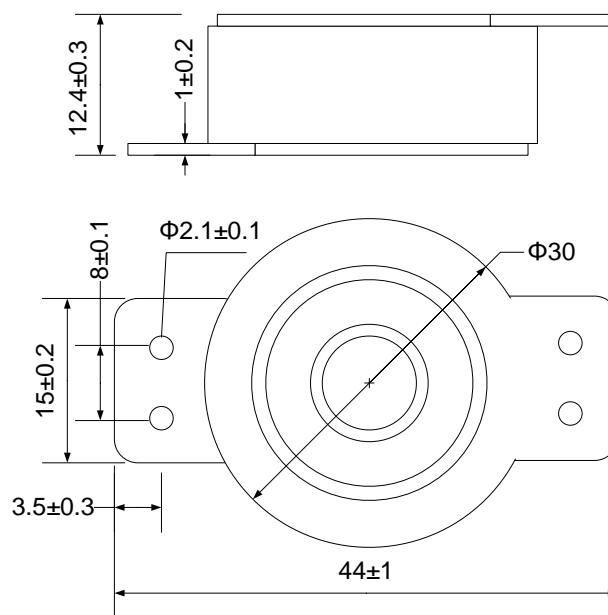


Figure 2

K2 : K2 Type

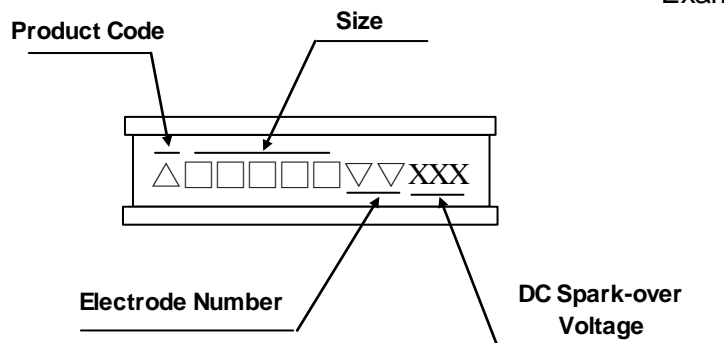


# Gas Discharge Tube: G30D12 Series

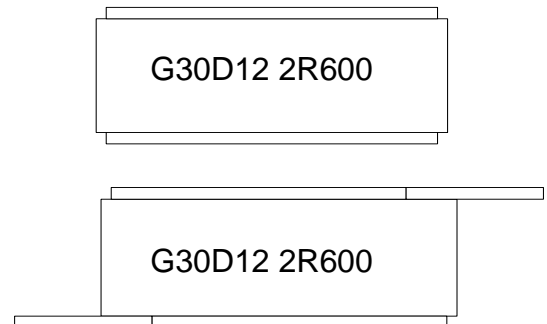
## 2-Electrode $\Phi 30$ x T12mm High Surge Type



### ■ Marking



Example



### ■ Packaging

- Bulk

### ■ Warehouse Storage Conditions of Products

- Storage Conditions:
  1. Storage Temperature:  $-10^{\circ}\text{C} \sim +40^{\circ}\text{C}$
  2. Relative Humidity:  $\leq 75\% \text{RH}$
  3. Keep away from corrosive atmosphere and sunlight.
- Period of Storage: 1 year