

Gas Discharge Tube: G12D18 Series



2-Electrode Φ 11.8 x T18mm Type

■ Features

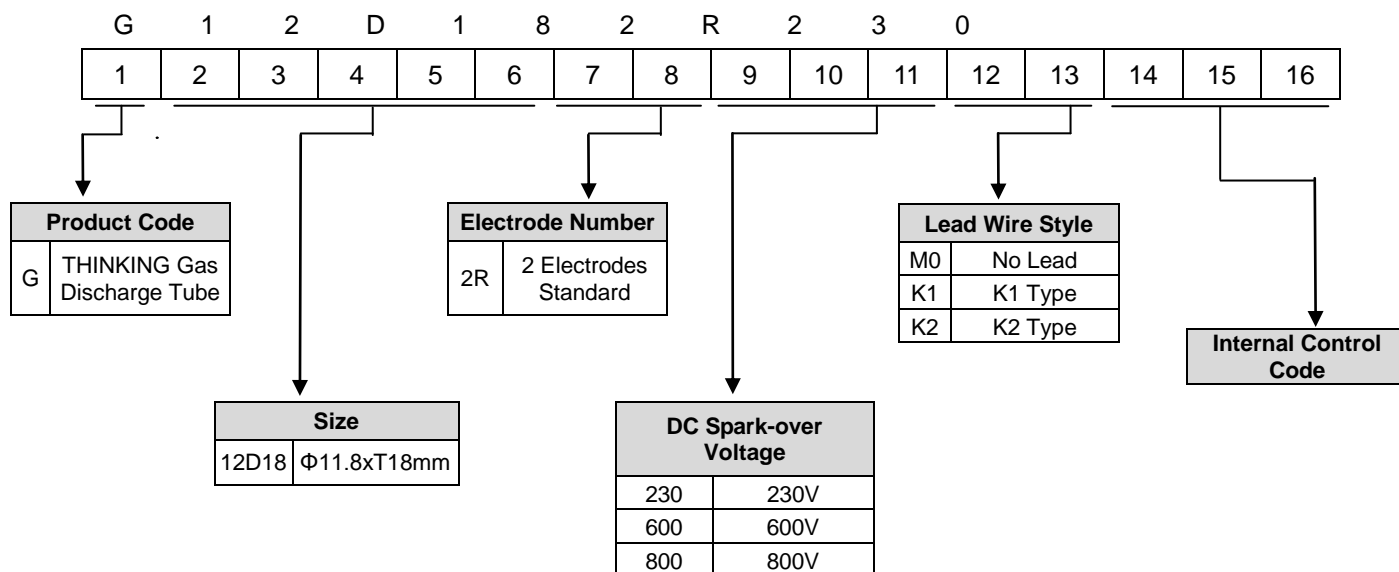
1. RoHS & HF compliant
2. Rugged ceramic-metal construction
3. DC spark-over voltage: 230~800V
4. Follow current at 50/60Hz: 100A (For 470~800V)
5. Max continuous operating voltage at 50/60Hz: 255V (For 470~800V)
6. Agency recognition: UL
7. Operating temperature: -40°C ~ +105°C
8. Storage temperature: -40°C ~ +115°C



■ Recommended Applications

1. Power system
2. Industrial equipment
3. SPD module

■ Part Number Code



Gas Discharge Tube: G12D18 Series



2-Electrode $\Phi 11.8 \times T18\text{mm}$ Type

Characteristics

Part No.	DC Spark-over Voltage	Max. Impulse Breakdown Voltage	Max. Impulse Discharge Current (8/20 μ s)		Follow Current	Max Continuous Operating Voltage	Minimum Insulation Resistance	Maximum Breakdown Time	Safety Approvals
	100V/S	1KV/ μ s	1 time	10 times	50/60Hz	50/60Hz	(G Ω)	(ns)	UL 1449
	(V)	(V)	(KA)		(A)	(V)			
G12D182R230□□	230 \pm 20%	700	80	40	/	/	1	100	√
G12D182R250□□	250 \pm 20%	700			/	/			√
G12D182R300□□	300 \pm 20%	800			/	/			√
G12D182R350□□	350 \pm 20%	800			/	/			√
G12D182R420□□	420 \pm 20%	800			/	/			√
G12D182R470□□	470 \pm 20%	1000			100	220			√
G12D182R500□□	500 \pm 20%	1000			100	255			√
G12D182R600□□	600 \pm 20%	1200			100	255			√
G12D182R700□□	700 \pm 20%	1300			100	255			√
G12D182R800□□	800 \pm 20%	1400			100	255			√

Note 1: The first □□ is style of lead wire.

Note 2: UL 1449 4th File No: E314979.

Note 3: Insulation resistance test conditions:

DC Spark-over Voltage	DC Measuring Voltage
90V	50V
150-360V	100V
420-800V	250V

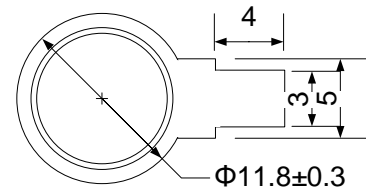
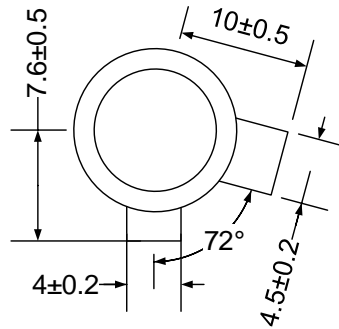
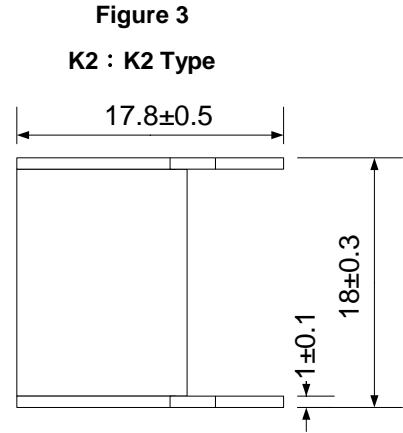
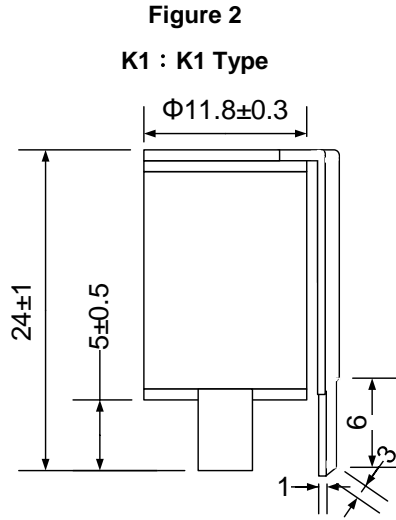
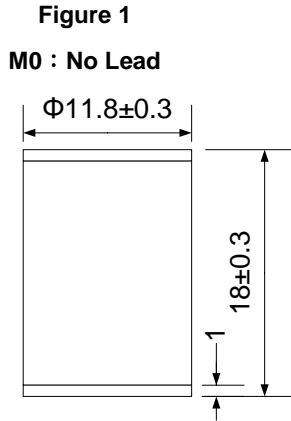
Gas Discharge Tube: G12D18 Series



2-Electrode $\Phi 11.8 \times T18\text{mm}$ Type

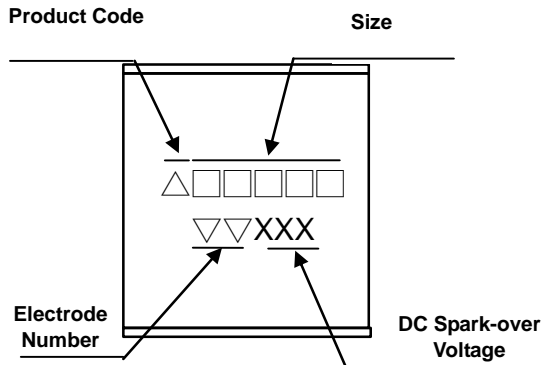
Dimension

(Unit: mm)

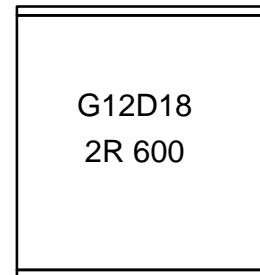


Note : The dimensional tolerance of figure 3.4.5. is $\pm 0.2\text{mm}$.

Marking



Example:



Packaging

- Bulk

Warehouse Storage Conditions of Products

- Storage Conditions:
 1. Storage Temperature: $-10^{\circ}\text{C} \sim +40^{\circ}\text{C}$
 2. Relative Humidity: $\leq 75\% \text{RH}$
 3. Keep away from corrosive atmosphere and sunlight.
- Period of Storage: 1 year