

Gas Discharge Tube: G25D10 Series



2-Electrode $\Phi 25$ x T10mm Type

■ Features

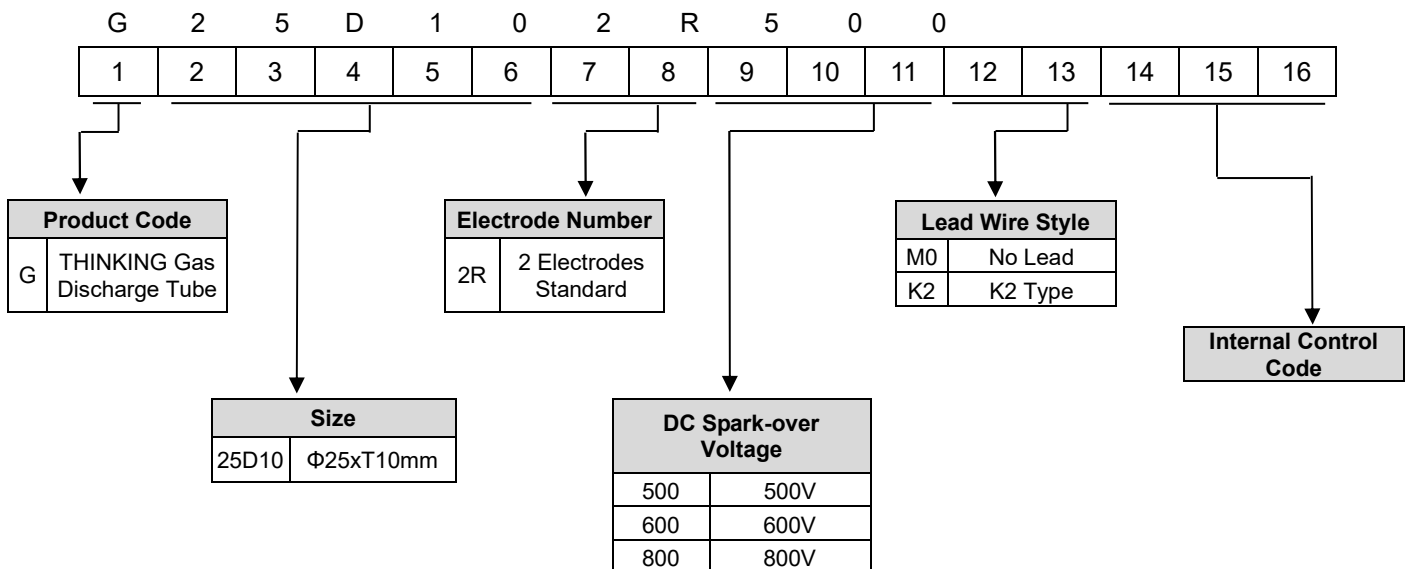
1. RoHS & HF compliant
2. Rugged ceramic-metal construction
3. DC spark-over voltage: 500~800V
4. Follow current at 50/60Hz: 100A
5. Max continuous operating voltage at 50/60Hz: 255V
6. Agency recognition: UL
7. Operating temperature: $-40^{\circ}\text{C} \sim +105^{\circ}\text{C}$
Storage temperature: $-40^{\circ}\text{C} \sim +115^{\circ}\text{C}$



■ Recommended Applications

4. Power system
5. Industrial equipment
6. SPD module

■ Part Number Code



Gas Discharge Tube: G25D10 Series



2-Electrode $\Phi 25$ x T10mm Type

Characteristics

| Part No. | DC Spark-over Voltage | Max. Impulse Discharge Current (8/20 μ s) | | Max. Front-of-wave sparkover voltage | Follow Current | Max Continuous Operating Voltage | Minimum Insulation Resistance (G Ω) | Maximum Breakdown Time (ns) | Safety Approvals |
|---------------|-----------------------|---|----------|--------------------------------------|----------------|----------------------------------|---|-----------------------------|------------------|
| | 100V/S | 1 time | 10 times | 1.2/50us 6KV | 50/60Hz | 50/60Hz | | | |
| | (V) | (KA) | | (V) | (A) | (V) | | | |
| G25D102R500□□ | 400-600 | 80 | 60 | 1300 | 100 | 255 | 1 | 100 | √ |
| G25D102R600□□ | 450-800 | | | 1400 | 100 | 255 | | | √ |
| G25D102R800□□ | 640-960 | | | 1500 | 100 | 255 | | | √ |

Note 1: The □□ is style of lead wire.

Note 2: UL 1449 4th File No: E314979.

Note 3: Insulation resistance test conditions:

| DC Spark-over Voltage | DC Measuring Voltage |
|-----------------------|----------------------|
| 500-800V | 250V |

Dimension

(Unit: mm)

Figure 1
M0 : No Lead

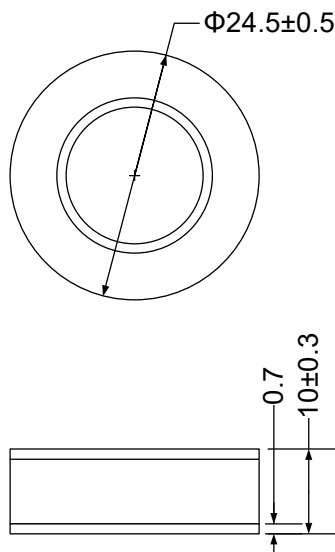
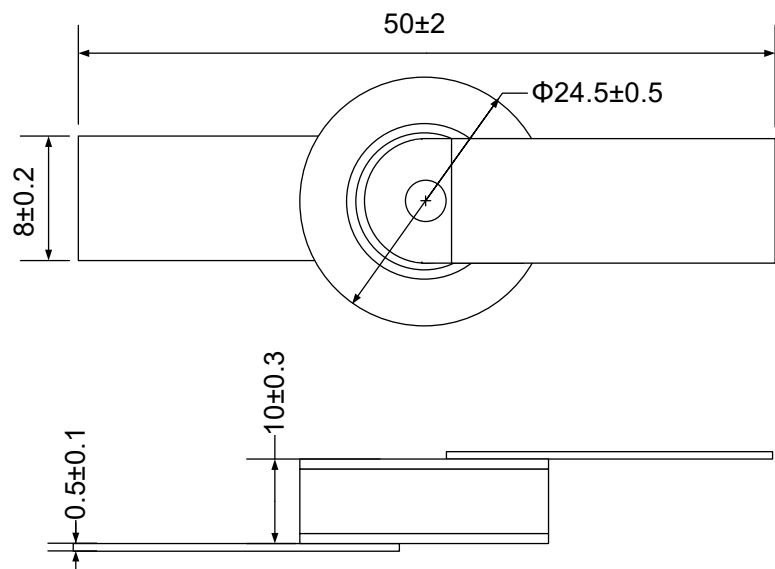


Figure 2
K2 : K2 Type

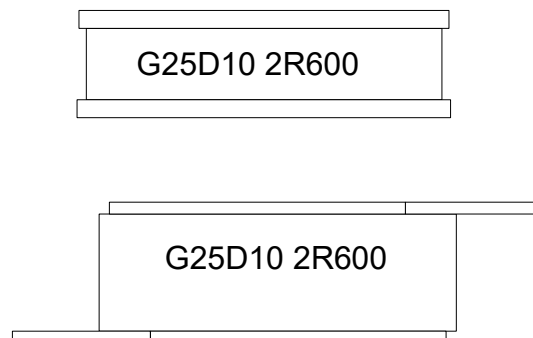
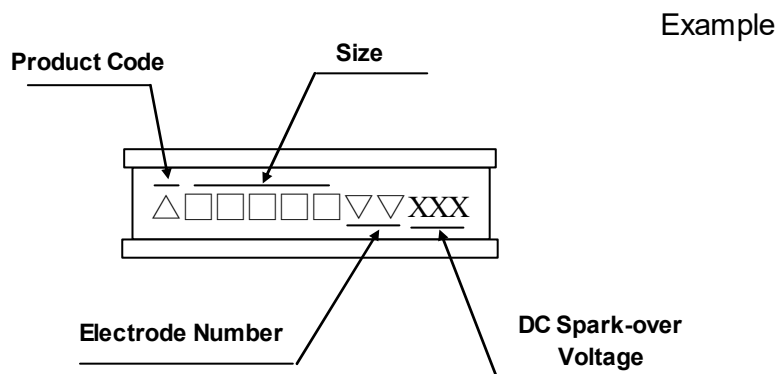


Gas Discharge Tube: G25D10 Series



2-Electrode $\Phi 25 \times T10\text{mm}$ Type

■ Marking



■ Packaging

- Bulk

■ Warehouse Storage Conditions of Products

- Storage Conditions:
 1. Storage Temperature: $-10^{\circ}\text{C} \sim +40^{\circ}\text{C}$
 2. Relative Humidity: $\leq 75\% \text{RH}$
 3. Keep away from corrosive atmosphere and sunlight.
- Period of Storage: 1 year