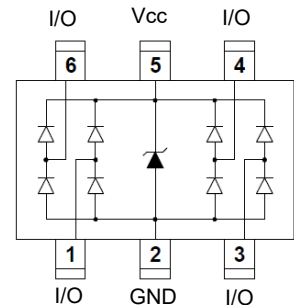
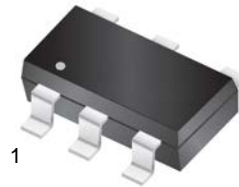


Features

- 350Watts peak pulse power ($t_p = 8/20\mu s$)
- SOT-23-6 Package
- Unidirectional configurations
- Solid-state silicon-avalanche technology
- Low clamping voltage
- Low leakage current
- Low capacitance (1.5pF typical I/O to I/O)
- ESD Protection for high-speed data lines to:
 - IEC 61000-4-2 $\pm 30kV$ contact $\pm 30kV$ air
 - IEC 61000-4-4 (EFT) 40A (5/50ns)
 - IEC 61000-4-5 (Lightning) 24A (8/20 μs)



Mechanical Data

- **Case:** SOT-23-6 (plastic package).
Lead free; RoHS compliant; Halogen free
- **Molding Compound Flammability Rating:**
UL 94 V-0
- **Terminals:** High temperature soldering guaranteed:
260 °C/10 sec. at terminals

Applications

- USB 2.0, MHL
- Ethernet
- Unified Display Interface (UDI)
- Digital Visual Interface (DVI)
- Notebook and PC Computers

Absolute Maximum Ratings

Ratings at 25 °C, ambient temperature unless otherwise specified

Parameter	Symbol	Value	Unit
Peak Pulse Power ($T_P=8/20\mu s$)	P_{PP}	350	W
ESD contact/air discharge (IEC-61000-4-2)	V_{ESD}	30/30	kV
Peak Pulse Current ($T_P = 8/20\mu s$)	I_{PP}	24	A
Junction Temperature	T_J	-55 to +150	°C
Storage temperature	T_{STG}	-55 to +150	°C

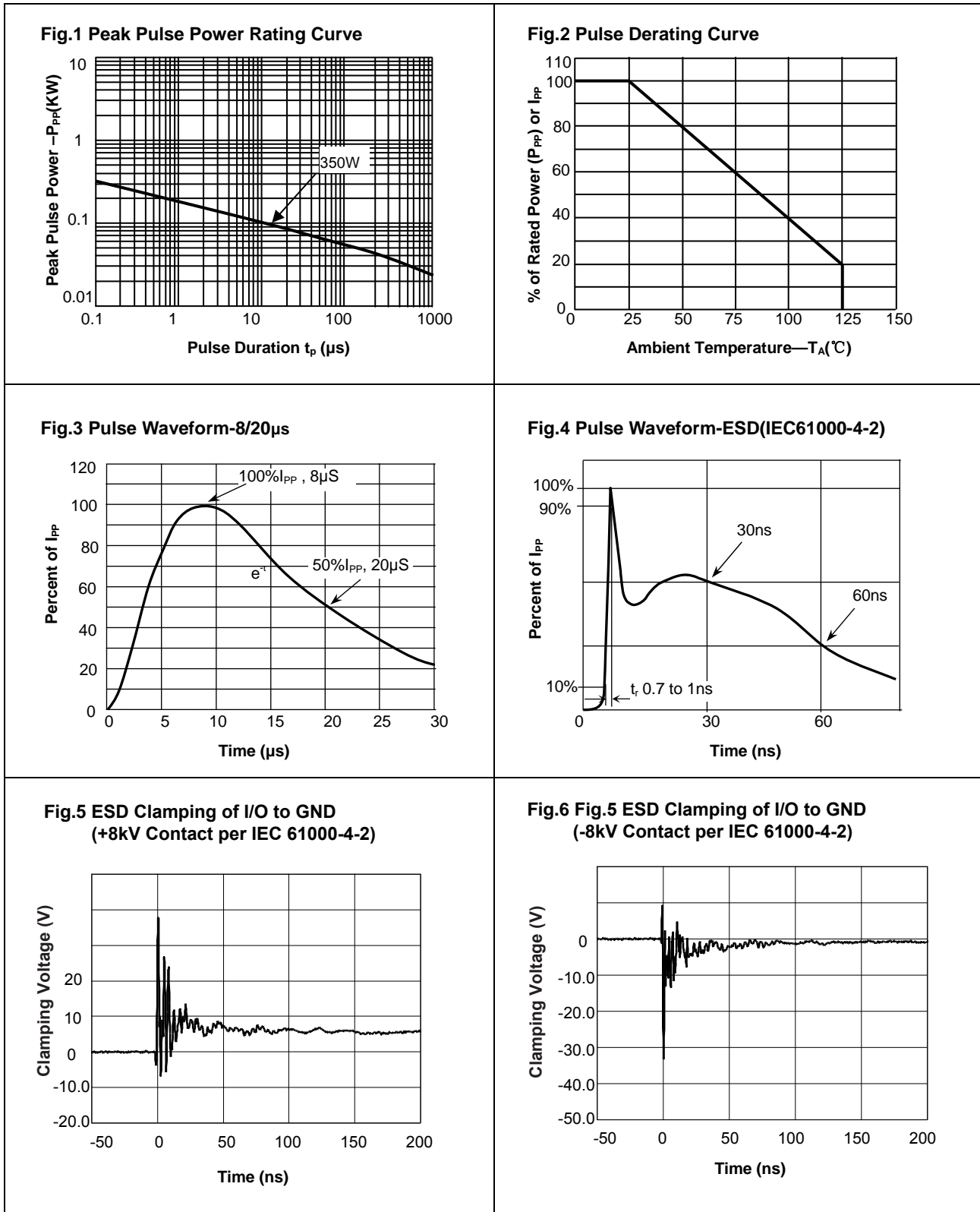
Electrical Characteristics

($T_A = 25\text{ °C}$ unless otherwise specified)

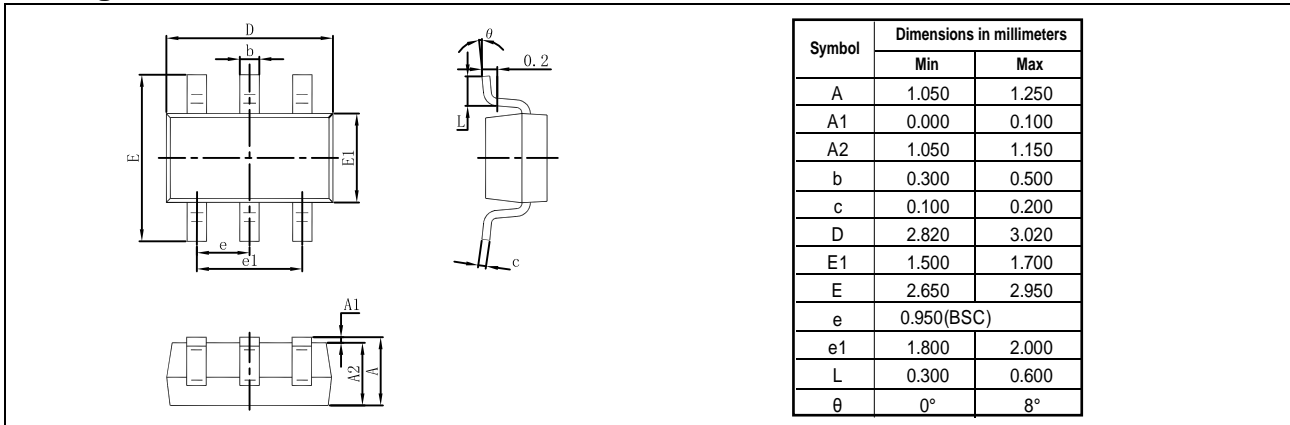
Parameter	Symbol	Condition	Min	Typ	Max	Unit
Reverse stand-off Voltage	V_{RWM}				5	V
Reverse Breakdown Voltage	V_{BR}	$I_T=1mA$	6	7.0	9.0	V
Reverse Leakage Current	I_R	$V_R=5V$		0.1	0.5	μA
Clamping Voltage(SURGE)	V_C	$I_{PP}=24A, T_P=8/20\mu s$		17		V
Clamping Voltage(ESD)	V_C	$V_{ESD} = +8kV$		15		V
Junction Capacitance	C_J	$V_R=0V, f=1MHz, I/O$ to I/O		1.5	2.5	pF
	C_J	$V_R=0V, f=1MHz, I/O$ to GND		3.5	5.0	pF



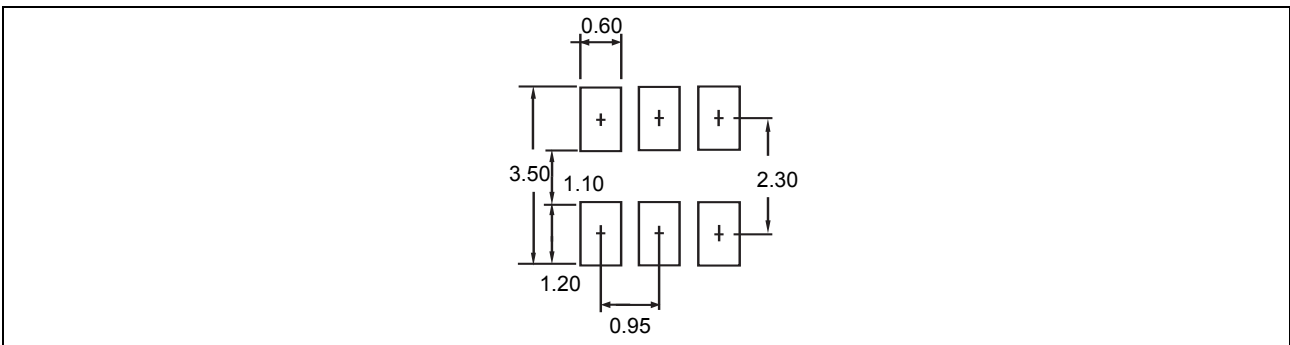
Typical Characteristics ($T_{amb} = 25\text{ }^{\circ}\text{C}$ unless otherwise specified)



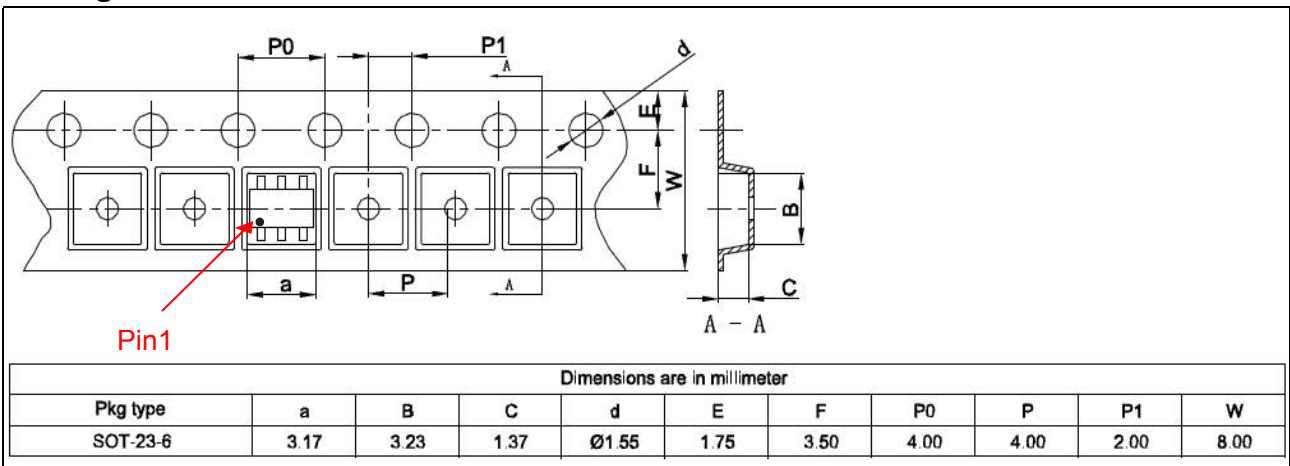
Package Dimensions



Pad dimensions



Package information



Ordering information

Order code	Marking	Package	Packaging option	Base quantity	Packaging specification
YELST260524AV	S514P	SOT-23-6	Tape and reel	3000pcs / reel	EIA STD RS-481