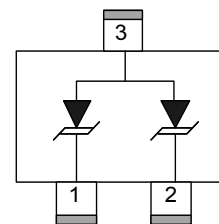
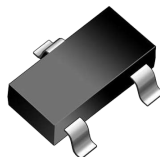


Features

- 40Watts peak pulse power ($t_p = 8/20\mu s$)
- SOT-523 package
- Unidirectional configurations
- Low clamping voltage
- Low leakage current
- Medium capacitance ($C_j=0.35pF$ typ.)
- Protection one data/power line to:
 - ISO 10605 $\pm 8kV$ contact $\pm 15kV$ air
 - IEC 61000-4-4 (EFT) 40A (5/50ns)
 - IEC 61000-4-5 (Lightning) 3.5A (8/20 μs)
- AEC-Q101 Qualified



Mechanical Data

- **Case:** SOT-523 (plastic package).
Lead free; RoHS compliant; Halogen free
- **Molding Compound Flammability Rating:**
UL 94 V-0
- **Terminals:** High temperature soldering guaranteed:
260 °C/10 sec. at terminals

Applications

- Dateline
- Automatic Teller Machines
- Net works
- High Definition Multi-Media Interface (HDMI)
- Digital Visual Interface (DVI)
- Other electronics equipments Communication systems

Absolute Maximum Ratings

Ratings at 25 °C, ambient temperature unless otherwise specified

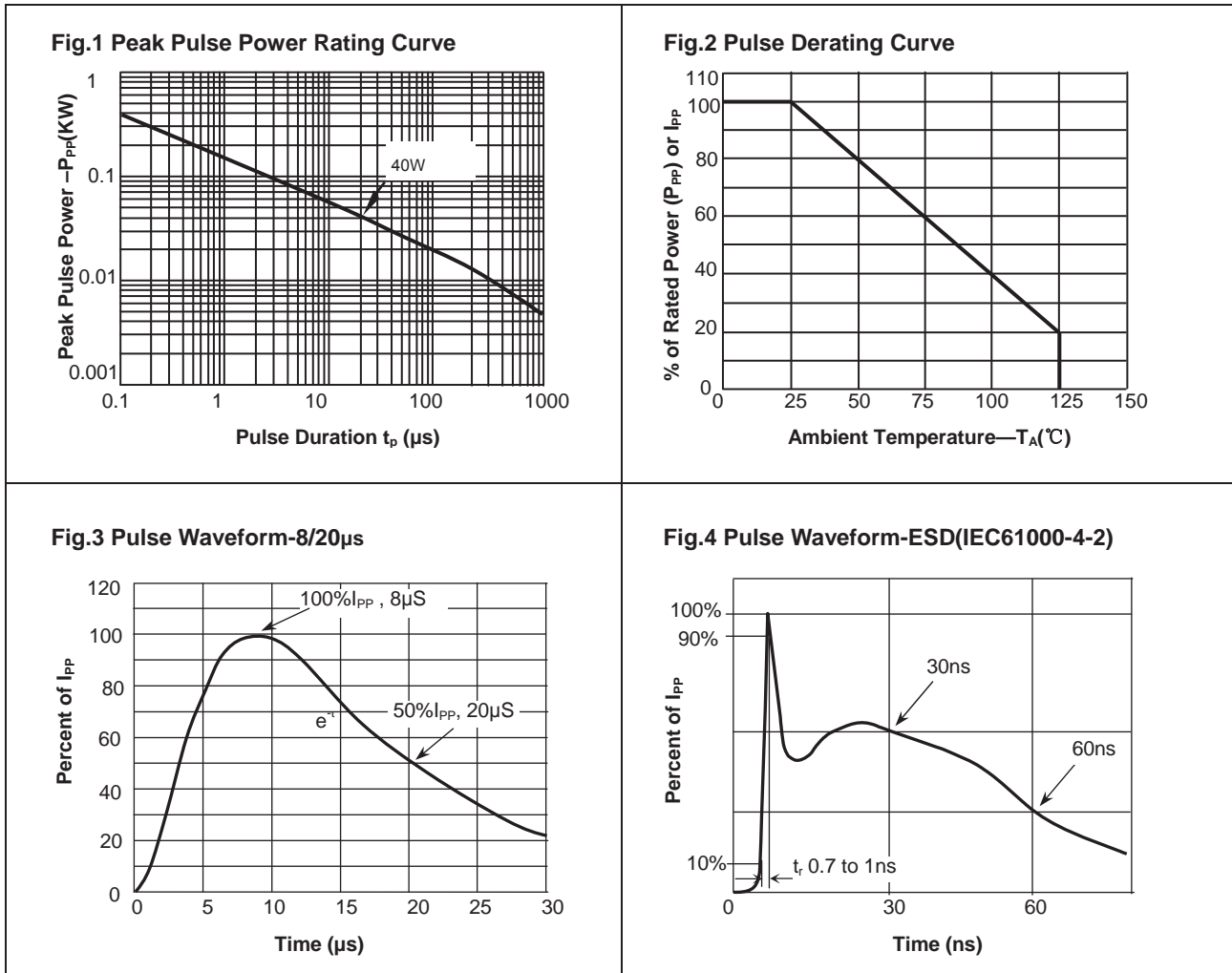
Parameter	Symbol	Value	Unit
Peak Pulse Power ($T_p=8/20\mu s$)	P_{PP}	40	W
ESD contact/air discharge (ISO 10605)	V_{ESD}	8/15	kV
Peak Pulse Current ($t_p = 8/20\mu s$)	I_{PP}	3.5	A
Junction Temperature	T_J	-55 to +125	°C
Storage temperature	T_{STG}	-55 to +150	°C

Electrical Characteristics

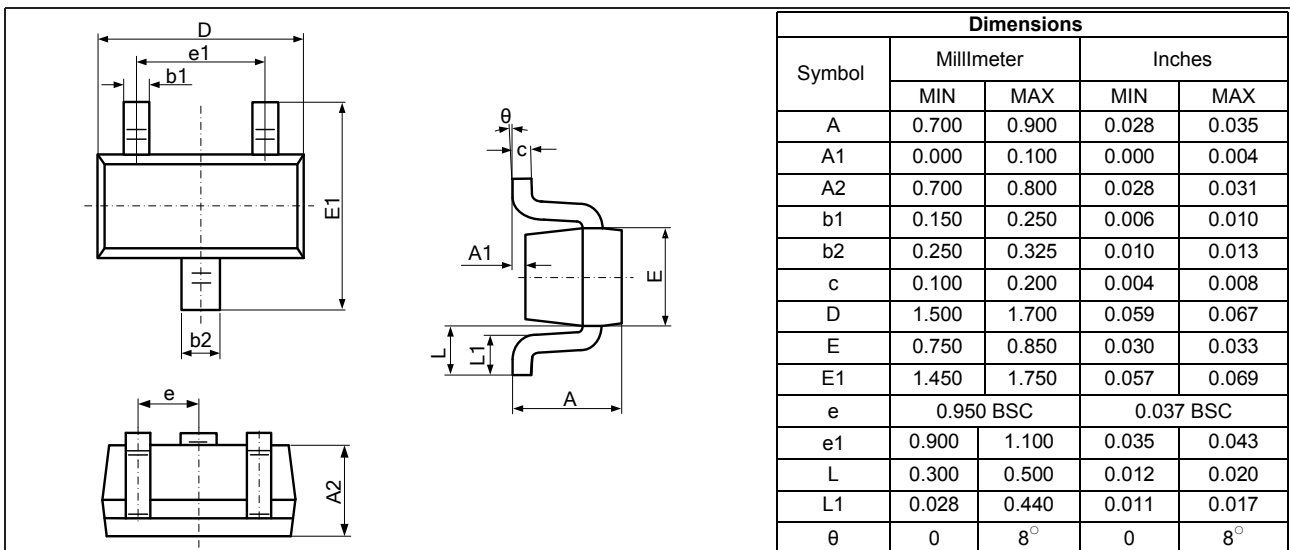
($T_A = 25$ °C unless otherwise specified)

Parameter	Symbol	Condition	Min	Typ	Max	Unit
Reverse stand-off Voltage	V_{RWM}				5.0	V
Reverse Breakdown Voltage	V_{BR}	$I_T=1mA$	6.0			V
Reverse Leakage Current	I_R	$V_R=5.0V$			0.5	μA
Clamping Voltage (IEC61000-4-5)	V_C	$I_{PP}=1A$			8	V
Clamping Voltage (IEC61000-4-5)	V_C	$I_{PP}=3.5A$		10		V
Junction Capacitance	C_J	$V_R=0V, f=1MHz$ Pin 1 to Pin 2		0.35		pF
Junction Capacitance	C_J	$V_R=0V, f=1MHz$ Pin 1/2 to Pin 3		0.55		pF

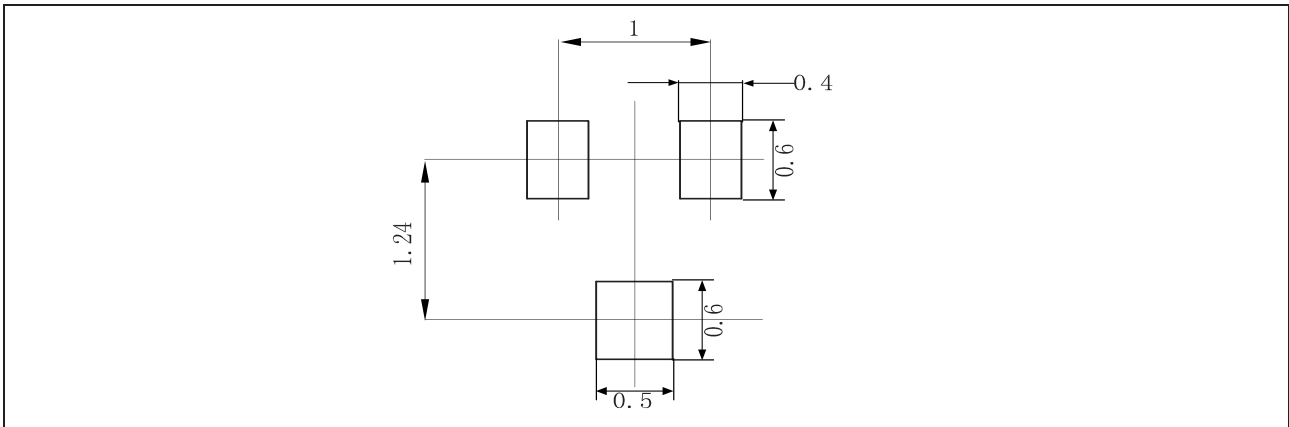
Typical Characteristics ($T_{amb} = 25\text{ }^{\circ}\text{C}$ unless otherwise specified)



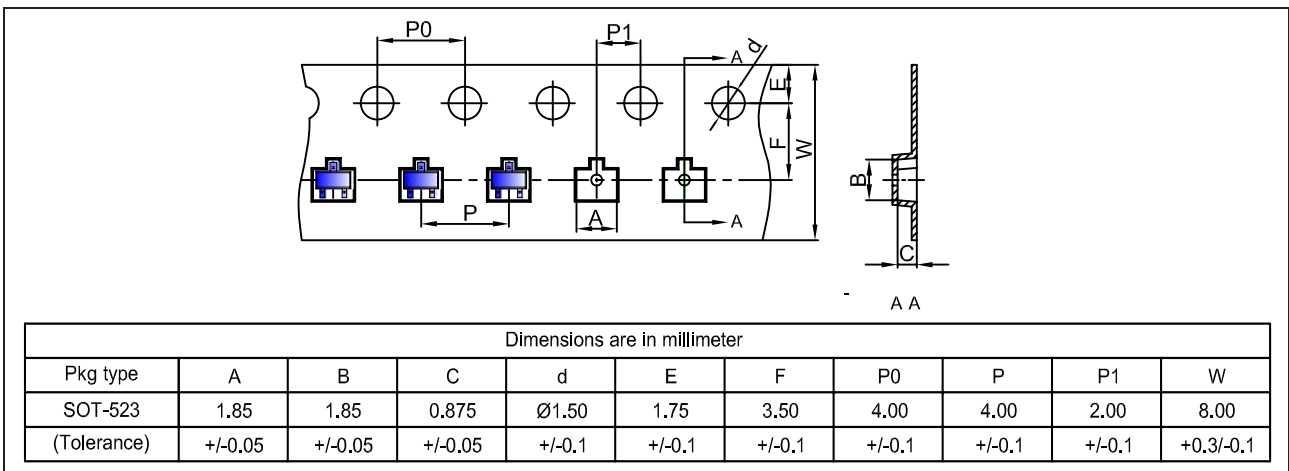
Package Dimensions



Pad Dimensions



Pad Dimensions



Marking



Ordering information

Order code	Package	Packaging option	Base quantity	Packaging specification
YEUST53053A5Q	SOT-523	Tape and reel	3000pcs / reel	EIA STD RS-481