

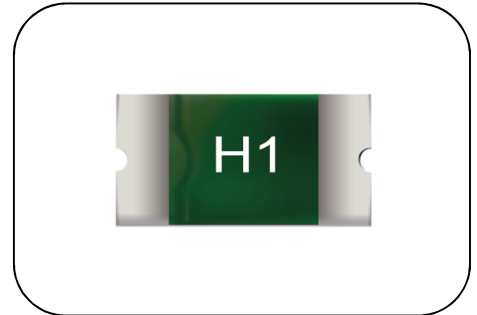
PPTC- Polymer PTC Resettable Fuse: KMH Series



125°C SMD Type

■ Features

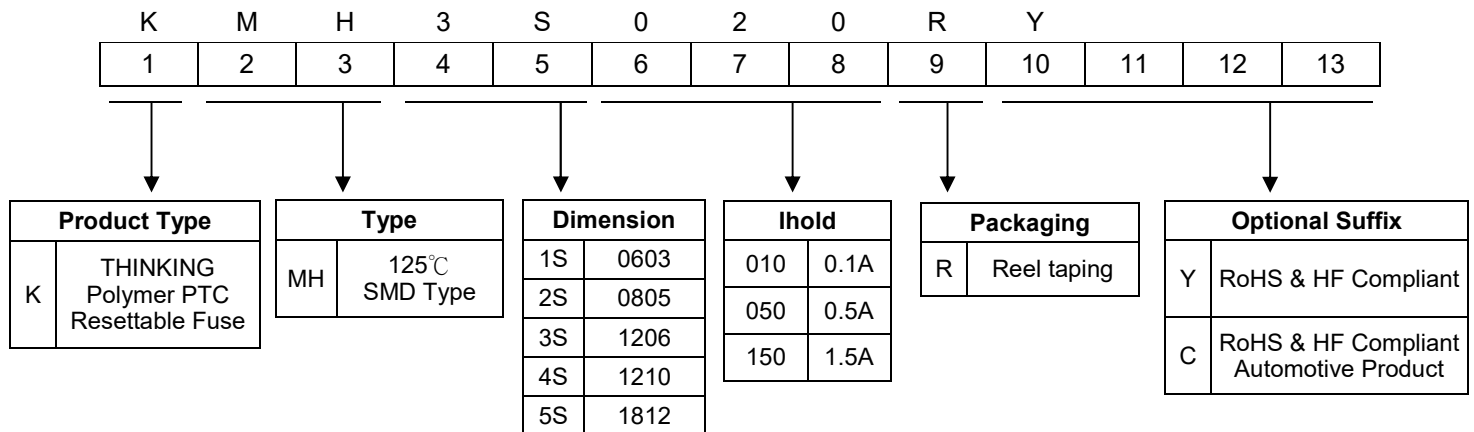
1. RoHS & Halogen-Free (HF) compliant
2. EIA size: 0603, 0805, 1206, 1210, 1812
3. Resettable devices for automotive applications
4. Hold current ratings from 0.05A to 1.75A
5. Maximum voltage: 12Vdc to 60Vdc
6. Operating & storage temperature range: -40°C to +125°C
7. AEC-Q 200 and ISO/TS16949 compliant



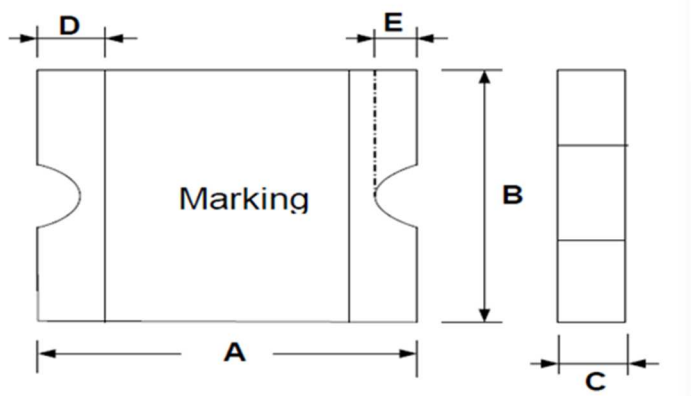
■ Recommended Applications

1. Protection of automotive electronics modules
2. Advanced Driver Assistance System (ADAS)
3. Automotive infotainment system
4. Automotive motor
5. Automotive electronic control module (ECU)
6. Automotive lighting
7. Automotive wire harness

■ Part Number Code



■ Structure and Dimensions



(Unit: mm)

Product Series	A		B		C		D		E	
	Min.	Max.	Min.	Max.	Min.	Max.	Min.	Max.	Min.	Max.
KMH1S005~016	1.4	1.8	0.6	1	0.6	1	0.15	0.5	---	0.4
KMH2S010~016	2	2.2	1.2	1.5	0.6	1	0.15	0.55	0.05	0.45
KMH2S005, KMH2S020~050						1.2				
KMH3S016~035, KMH3S050-16	3	3.5	1.5	1.8	0.6	1	0.125	0.75	0.08	0.45
KMH3S010, KMH3S010-60, KMH3S035-30, KMH3S050-24, KMH3S075						1.2				
KMH4S010~016	3	3.43	2.35	2.8	0.6	1.4	0.125	0.75	0.08	0.5
KMH4S020~075						1.2				
KMH4S110~150						1.6				
KMH5S035~050	4.37	4.73	3.07	3.41	0.6	1	0.2	1.2	0.15	0.65
KMH5S020, KMH5S110						1.2				
KMH5S075, KMH5S125~KMH5S175						1.6				

PPTC- Polymer PTC Resettable Fuse: KMH Series



125°C SMD Type

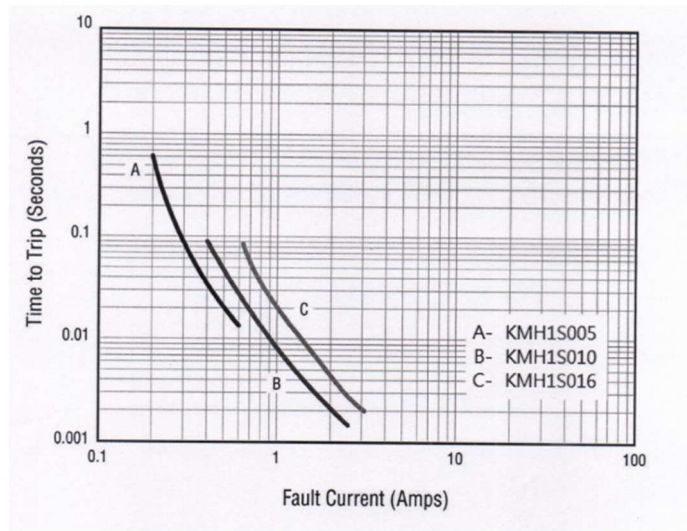
■ Electrical Characteristics at 23°C

Part No.	Marking	Ihold.	Itrip	Vmax	Imax	Pd max.	Time to Trip		Resistance at 23°C	
							Current (A)	Time (Sec.)	Ri min	Post trip, R1max
									Ω	Ω
KMH1S005	2	0.05	0.25	12	40	0.5	0.5	1.5	1.5	30
KMH1S010	5	0.1	0.5	12	40	0.5	2.5	1.5	0.9	8.5
KMH1S016	7	0.16	0.8	12	40	0.5	8	0.1	0.6	6
KMH2S005	C	0.05	0.25	16	40	0.9	0.5	1.5	1.5	50
KMH2S010	K	0.1	0.5	16	40	0.9	2.5	1.5	1	7.5
KMH2S016	Y	0.16	0.8	16	40	0.9	8	0.1	0.7	6
KMH2S020	L	0.2	1	16	40	0.9	8	0.1	0.5	5
KMH2S035	T	0.35	1.75	16	40	0.9	8	0.1	0.25	3
KMH2S050	O	0.5	2	12	40	0.9	8	0.1	0.12	1.6
KMH3S010	HY	0.1	0.5	30	20	0.9	2.5	1.5	1	7.5
KMH3S010-60	HY1	0.1	0.5	60	20	1.8	2.5	1.5	1	7.5
KMH3S016	HK	0.16	0.8	30	20	0.9	8	0.1	0.7	6
KMH3S020	H2	0.2	1	30	20	0.9	8	0.1	0.6	5
KMH3S035	HP	0.35	1.75	16	20	0.48	8	0.1	0.4	2.6
KMH3S035-30	HP1	0.35	1.75	30	20	0.9	8	0.1	0.4	2.6
KMH3S050-16	H1	0.5	2.5	16	20	0.9	8	0.1	0.17	1.6
KMH3S050-24	HQ	0.5	2.5	24	20	1.35	8	0.1	0.17	1.6
KMH3S075	HR	0.75	3	12	40	1.2	8	5	0.08	0.7
KMH4S010	Ha	0.1	0.5	30	20	1	2.5	1.5	1	7.5
KMH4S016	Hb	0.16	0.8	30	20	1	8	0.1	0.7	6
KMH4S020	Hd	0.2	1	30	20	1	8	0.1	0.6	5
KMH4S035	Hf	0.35	1.75	30	20	1	8	0.1	0.4	2.2
KMH4S050	Hg	0.5	2.5	30	20	1	8	0.1	0.3	1.6
KMH4S075	Hh	0.75	3.75	16	20	1	8	5	0.1	1
KMH4S110	Hm	1.1	5.5	9	20	1	8	5	0.06	0.5
KMH4S125	Hn	1.25	3.75	9	40	1.5	8	5	0.03	0.3
KMH4S150	Hr	1.5	4.5	9	40	1.5	8	5	0.025	0.25
KMH5S020	H020	0.2	1	42	40	1.2	8	0.1	0.5	4.5
KMH5S035	H035	0.35	1.75	36	40	1.2	8	0.1	0.3	2.6
KMH5S050	H050	0.5	2.5	30	40	1.2	8	0.1	0.18	1.6
KMH5S075	H075	0.75	3.75	30	40	1.5	8	5	0.09	0.85
KMH5S110	H110	1.1	5.5	16	40	1.5	8	5	0.05	0.45
KMH5S125	H125	1.25	6.25	9	40	1.5	8	5	0.03	0.3
KMH5S150	H150	1.5	6	9	40	1.5	10	5	0.022	0.2
KMH5S175	H175	1.75	7	9	40	1.5	10	5	0.018	0.17

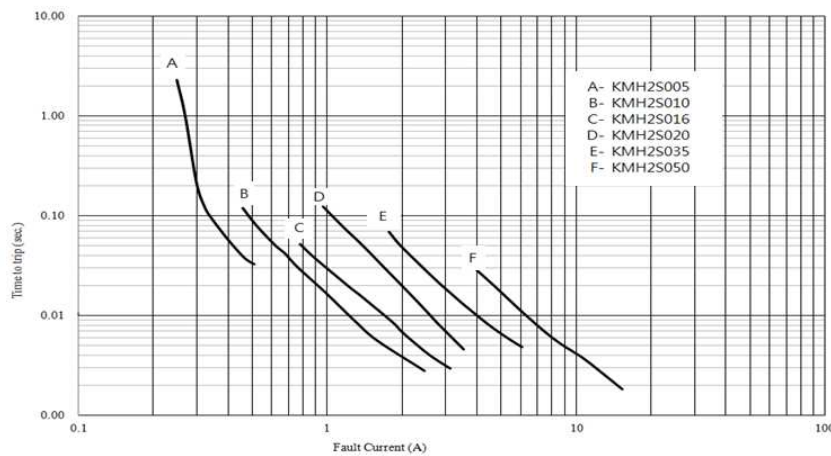
125°C SMD Type

■ Typical Time to Trip Curve at 23°C

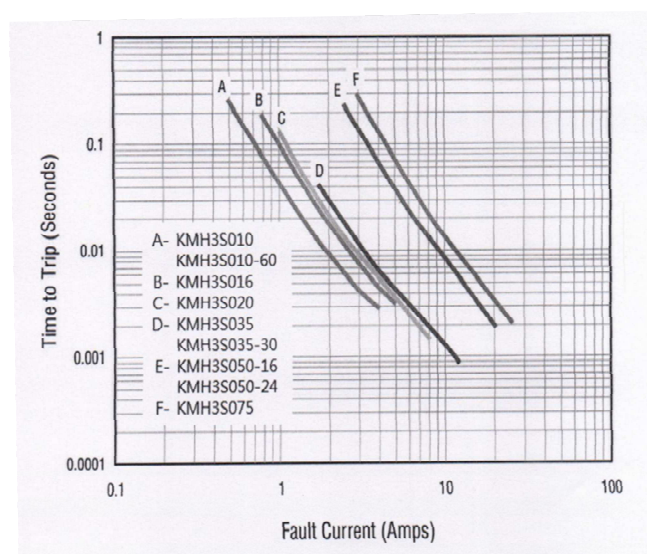
KMH1S (0603) Series



KMH2S (0805) Series

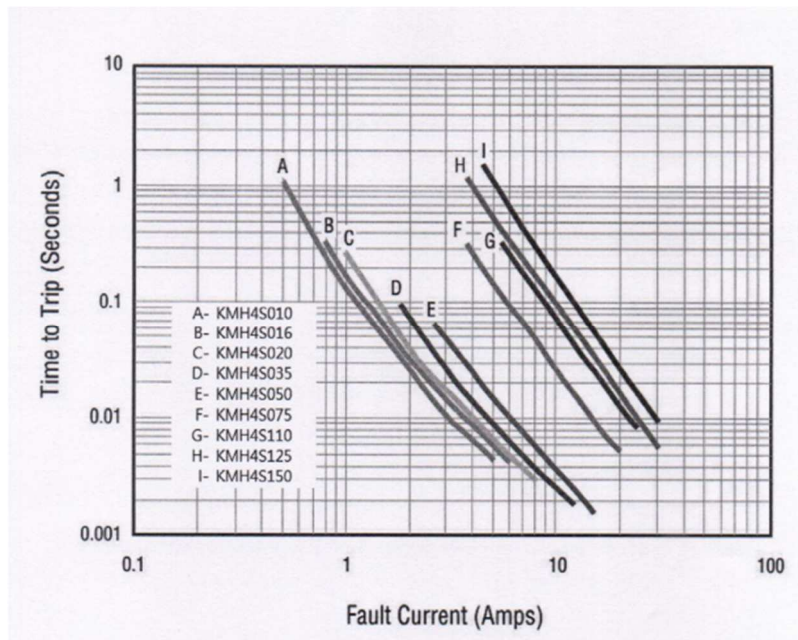


KMH3S (1206) Series

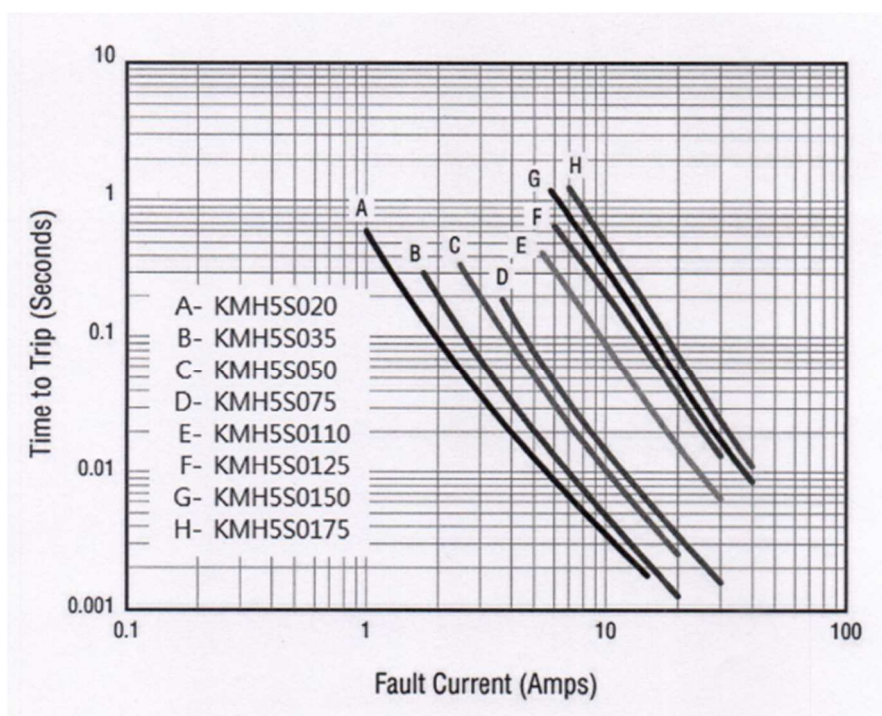


■ Typical Time to Trip Curve at 23°C

KMH4S (1210) Series

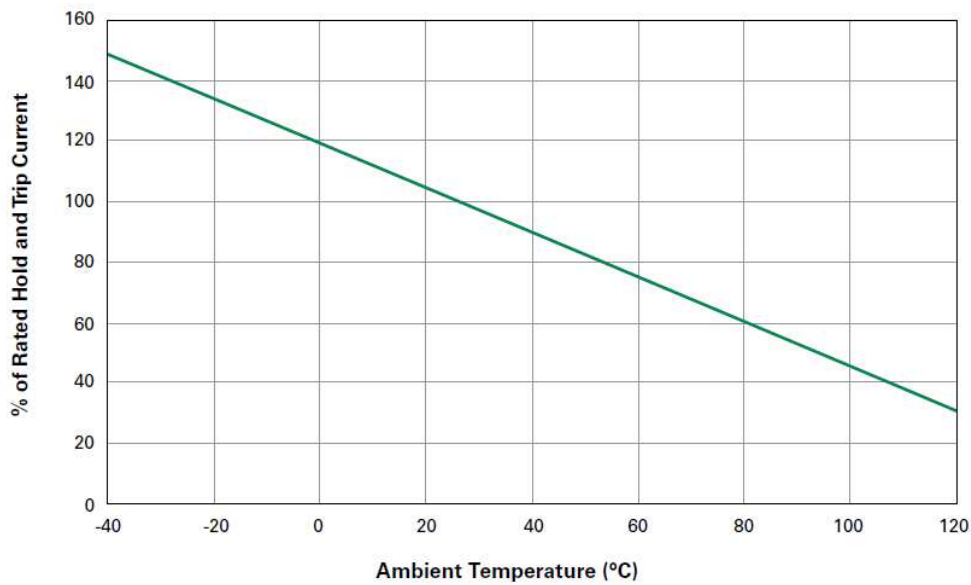


KMH5S (1812) Series



125°C SMD Type

■ Ihold & Itrip Thermal Derating Curve



■ Ihold Thermal Derating Chart

●KMH1S (0603) Series

(Unit: A)

Part No.	Ambient Operation Temperature									
	-40°C	-20°C	0°C	+23°C	+40°C	+50°C	+60°C	+70°C	+85°C	+125°C
KMH1S005	0.073	0.066	0.058	0.05	0.044	0.041	0.037	0.034	0.028	0.014
KMH1S010	0.15	0.13	0.12	0.10	0.09	0.08	0.074	0.067	0.056	0.027
KMH1S016	0.23	0.21	0.19	0.16	0.14	0.13	0.12	0.11	0.09	0.04

●KMH2S (0805) Series

(Unit: A)

Part No.	Ambient Operation Temperature									
	-40°C	-20°C	0°C	+23°C	+40°C	+50°C	+60°C	+70°C	+85°C	+125°C
KMH2S005	0.07	0.07	0.06	0.05	0.04	0.04	0.04	0.03	0.03	0.01
KMH2S010	0.15	0.13	0.12	0.10	0.09	0.08	0.07	0.07	0.06	0.03
KMH2S016	0.23	0.21	0.19	0.16	0.14	0.13	0.12	0.11	0.09	0.04
KMH2S020	0.29	0.26	0.23	0.20	0.18	0.16	0.15	0.13	0.11	0.05
KMH2S035	0.51	0.46	0.41	0.35	0.31	0.28	0.26	0.23	0.20	0.09
KMH2S050	0.73	0.66	0.58	0.50	0.44	0.41	0.37	0.34	0.28	0.14

PPTC- Polymer PTC Resettable Fuse: KMH Series



125°C SMD Type

●KMH3S (1206) Series

(Unit: A)

Part No.	Ambient Operation Temperature									
	-40°C	-20°C	0°C	+23°C	+40°C	+50°C	+60°C	+70°C	+85°C	+125°C
KMH3S010	0.15	0.13	0.12	0.10	0.09	0.08	0.07	0.07	0.06	0.03
KMH3S010-60	0.15	0.13	0.12	0.10	0.09	0.08	0.07	0.07	0.06	0.03
KMH3S016	0.23	0.21	0.19	0.16	0.14	0.13	0.12	0.11	0.09	0.04
KMH3S020	0.29	0.26	0.23	0.20	0.18	0.16	0.15	0.13	0.11	0.05
KMH3S035	0.51	0.46	0.41	0.35	0.31	0.28	0.26	0.23	0.20	0.09
KMH3S035-30	0.51	0.46	0.41	0.35	0.31	0.28	0.26	0.23	0.20	0.09
KMH3S050-16	0.73	0.66	0.58	0.50	0.44	0.41	0.37	0.34	0.28	0.14
KMH3S050-24	0.73	0.66	0.58	0.50	0.44	0.41	0.37	0.34	0.28	0.14
KMH3S075	1.09	0.98	0.87	0.75	0.66	0.61	0.56	0.5	0.42	0.20

●KMH4s (1210) Series

(Unit: A)

Part No.	Ambient Operation Temperature									
	-40°C	-20°C	0°C	+23°C	+40°C	+50°C	+60°C	+70°C	+85°C	+125°C
KMH4S010	0.15	0.13	0.12	0.10	0.09	0.08	0.07	0.07	0.06	0.03
KMH4S016	0.23	0.21	0.19	0.16	0.14	0.13	0.12	0.11	0.09	0.04
KMH4S020	0.29	0.26	0.23	0.20	0.18	0.16	0.15	0.13	0.11	0.05
KMH4S035	0.51	0.46	0.41	0.35	0.31	0.28	0.26	0.23	0.20	0.09
KMH4S050	0.73	0.66	0.58	0.50	0.44	0.41	0.37	0.34	0.28	0.14
KMH4S075	1.09	0.98	0.87	0.75	0.66	0.61	0.56	0.50	0.42	0.20
KMH4S110	1.60	1.44	1.28	1.10	0.97	0.89	0.81	0.74	0.62	0.30
KMH4S125	1.81	1.64	1.45	1.25	1.10	1.01	0.93	0.84	0.70	0.34
KMH4S150	2.18	1.97	1.74	1.50	1.32	1.22	1.11	1.01	0.84	0.41

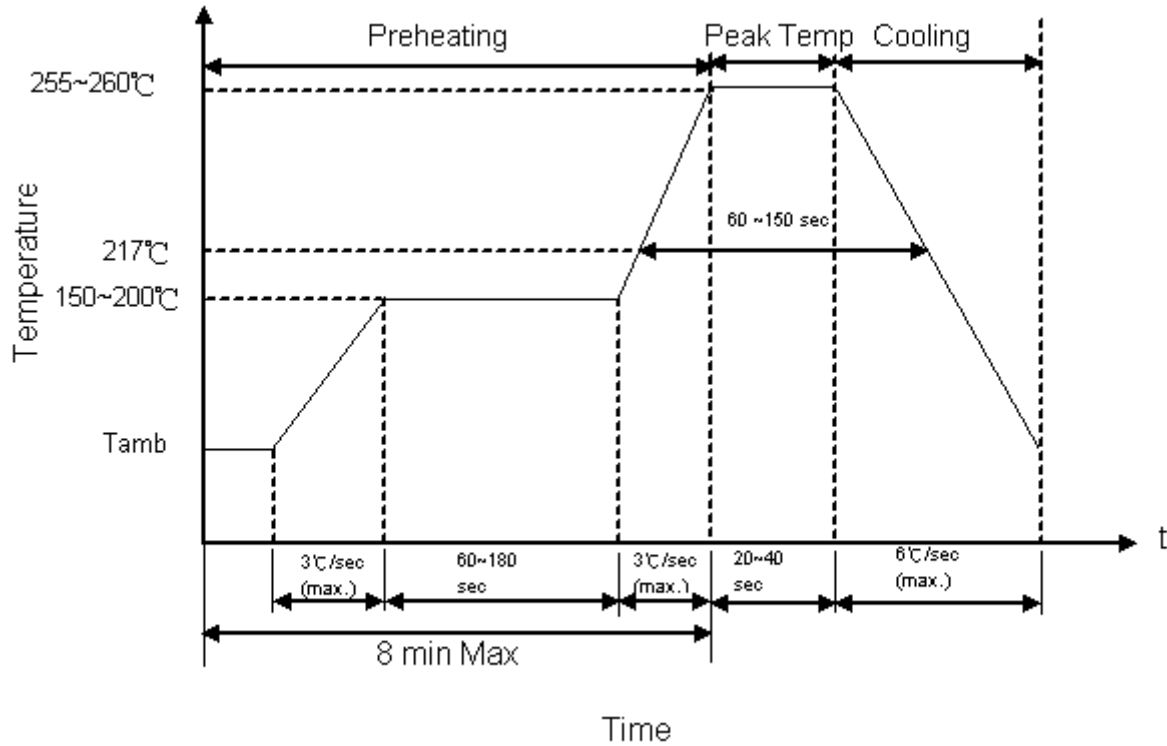
●KMH5S (1812) Series

(Unit: A)

Part No.	Ambient Operation Temperature									
	-40°C	-20°C	0°C	+23°C	+40°C	+50°C	+60°C	+70°C	+85°C	+125°C
KMH5S020	0.29	0.26	0.23	0.20	0.18	0.16	0.15	0.13	0.11	0.05
KMH5S035	0.51	0.46	0.41	0.35	0.31	0.28	0.26	0.23	0.20	0.09
KMH5S050	0.73	0.66	0.58	0.50	0.44	0.41	0.37	0.34	0.28	0.14
KMH5S075	1.09	0.98	0.87	0.75	0.66	0.61	0.56	0.50	0.42	0.20
KMH5S110	1.60	1.44	1.28	1.10	0.97	0.89	0.81	0.74	0.62	0.30
KMH5S125	1.81	1.64	1.45	1.25	1.10	1.01	0.93	0.84	0.70	0.34
KMH5S150	2.18	1.97	1.74	1.50	1.32	1.22	1.11	1.01	0.84	0.41
KMH5S175	2.54	2.29	2.03	1.75	1.54	1.42	1.30	1.17	0.98	0.47

125°C SMD Type

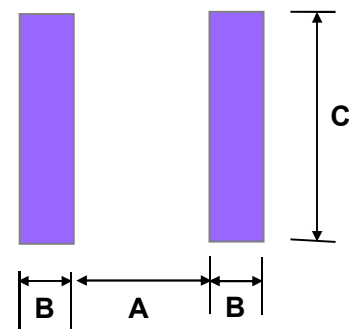
■ Recommended Soldering Condition



■ Recommended Soldering Pad Dimensions (Nominal)

(Unit: mm)

Series	Dimension	A	B	C
KMH1S	0603	0.8	1	1
KMH2S	0805	1.2	1	1.5
KMH3S	1206	2	1	1.9
KMH4S	1210	2	1	2.8
KMH5S	1812	3.45	1.78	3.50



PPTC- Polymer PTC Resettable Fuse: KMH Series



125°C SMD Type

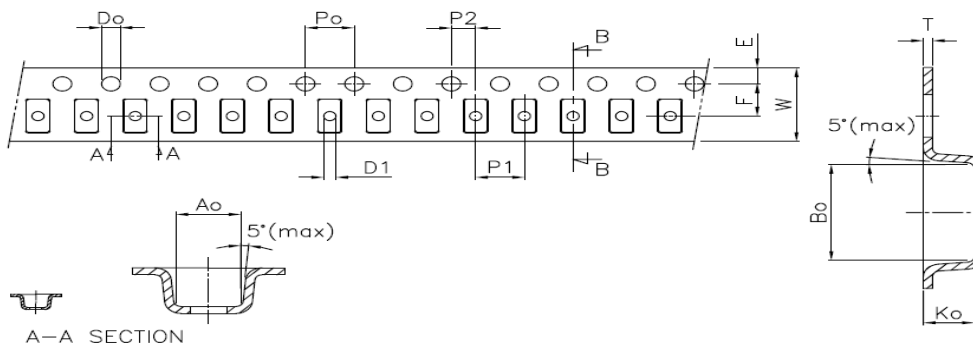
■ Reliability

Item	Test Condition / Methods	Criteria
High Temperature Storage	125±5°C, 1000±24hrs	±10% typical resistance change
Humidity Aging	85±5°C, 80~85%RH, 100±5hrs	±5% typical resistance change
Rapid Change of Temperature	125±5/-40±5°C, 20 cycles, Duration: 30 min	-33% typical resistance change
Solderability	245 ± 5 °C , 3 ± 0.3 Sec	At least 95% of terminal electrode is covered by new solder

Note: Operation and storage temperature: -40 ~ +125°C

■ Packaging

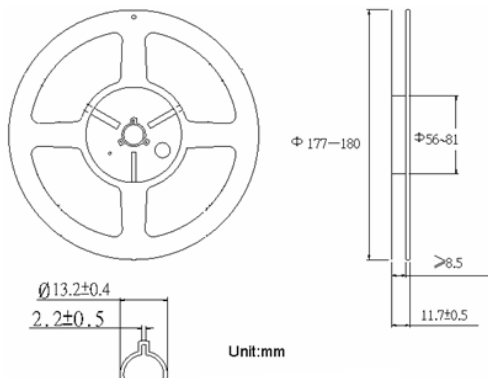
● Taping Specification



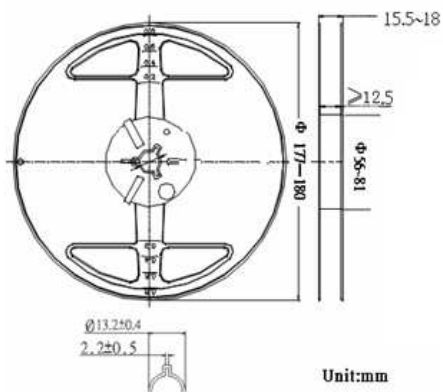
(Unit: mm)

Index Type	A ₀	B ₀	K ₀	P ₀	P ₁	P ₂	T	E	F	D ₀	D ₁	W	10P ₀
KMH1S	1.1 ±0.1	1.85 ±0.15	0.75 ±0.05	4 ±0.1	4 ±0.1	2 ±0.05	0.23 +0.05/-0.08	1.75 ±0.1	3.5 ±0.05	1.55 ±0.05	0.4 (Min)	8 ±0.2	40 ±0.2
KMH2S (005~016)	1.6 ±0.1	2.3 ±0.1	0.9 ±0.05	4 ±0.08	4 ±0.1	2 ±0.05	0.25 ±0.1	1.75 ±0.1	3.5 ±0.05	1.55 ±0.05	1 (Min)	8 ±0.1	40 ±0.2
KMH2S (020~050)	1.65 ±0.1	2.35 ±0.1	1.05 ±0.1	4.0 ±0.1	4. ±0.1	2.0 ±0.05	0.2 ±0.1	1.75 ±0.1	3.5 ±0.05	1.55 ±0.05	1.0 ±0.1	8 ±0.3	40.0 ±0.2
KMH3S	1.95 +0.1/-0	3.55 +0.1/-0	1.4 ±0.05	4 ±0.1	4 ±0.1	2 ±0.1	0.23 ±0.05	1.75 ±0.1	3.5 ±0.1	1.55 ±0.05	1 (Min)	8 ±0.3	40 ±0.2
KMH4S	2.82 ±0.1	3.63 ±0.1	1.47 ±0.05	4 ±0.1	4 ±0.1	2 ±0.1	0.23 ±0.05	1.75 ±0.1	3.5 ±0.1	1.55 ±0.05	1 (Min)	8 ±0.3	40 ±0.2
KMH5S	3.56 ±0.1	4.94 ±0.1	1.7 ±0.05	4 ±0.1	8 ±0.1	2 ±0.1	0.25 ±0.05	1.75 ±0.1	3.5 ±0.1	1.55 ±0.05	1.5 (Min)	12 ±0.3	40 ±0.2

● Quantity



Size	Part no	Quantity (pcs/reel)
0603	KMH1S005~016	5,000
0805	KMH2S005~050	4,000
1206	KMH3S010~075	2,500
1210	KMH4S010~150	3,000
1812	KMH5S020~175	1,000



■ Warehouse Storage Conditions of Products

- Storage Conditions:
 1. Storage Temperature: $-10^{\circ}\text{C} \sim +40^{\circ}\text{C}$
 2. Relative humidity: $\leq 75\% \text{RH}$
 3. Thermistors must be kept away from sunlight and stored in a non-corrosive atmosphere.
- Period of Storage: 1 year