

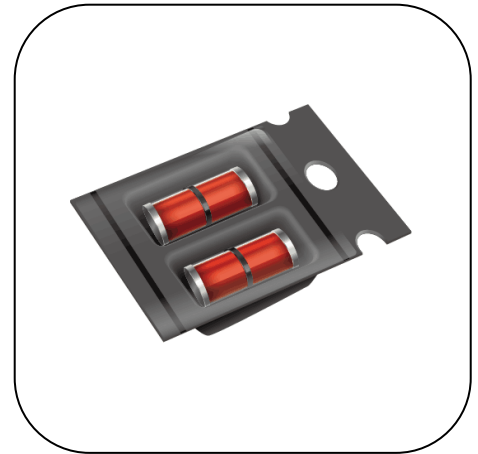
Spark Gap Protector: SPC Series



No Lead Type $\Phi 2.6 \times 5 \text{mm}$

■ Features

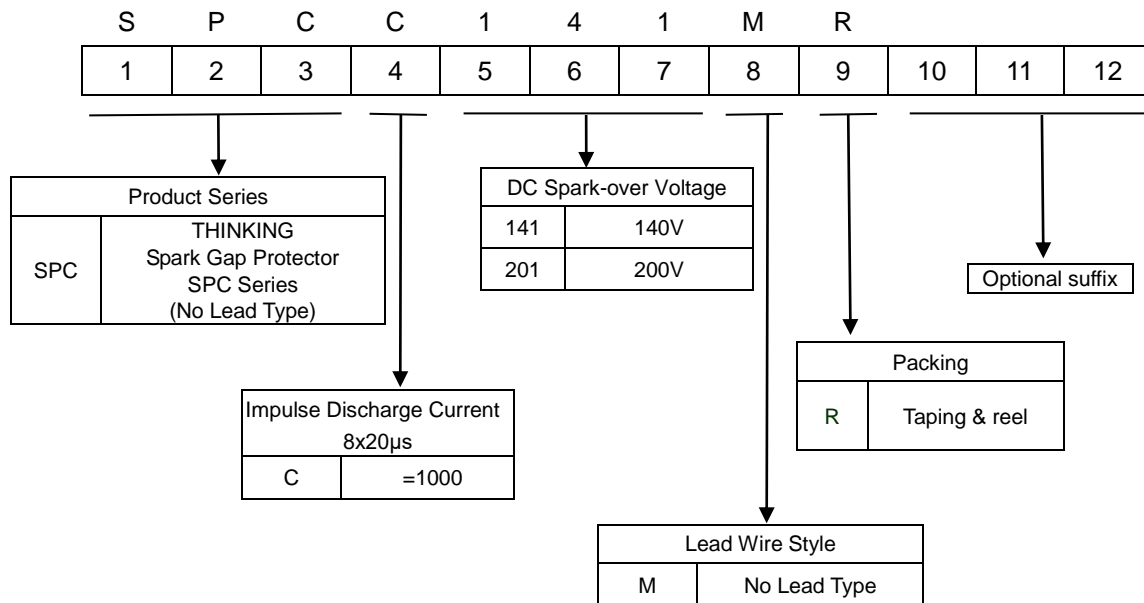
1. Small size
2. RoHS compliant and halogen-free
3. Fast response time
4. Low electrode capacitance (1pF) and high isolation (100M Ω)



■ Recommended Applications

1. Telephone, Fax, Modem
2. Power supplies
3. High frequency signal transmitters/receivers
4. Satellite antenna
5. Radio amplifiers
6. Alarm systems

■ Part Number Code



Spark Gap Protector: SPC Series

No Lead Type $\Phi 2.6 \times 5 \text{mm}$

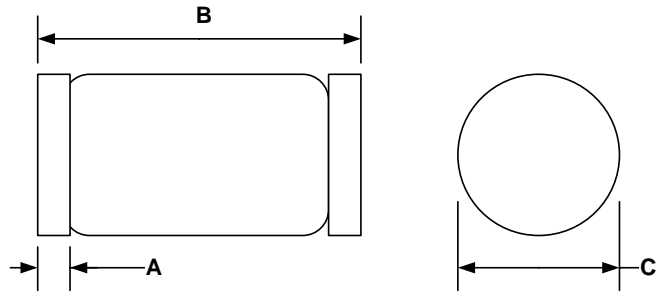


■ Structures and Dimensions

SPCC Series - No Lead Type

Unit: mm

Item	Spec	Tolerance
A	0.4	± 0.1
B	5	± 0.5
C	2.6	± 0.2



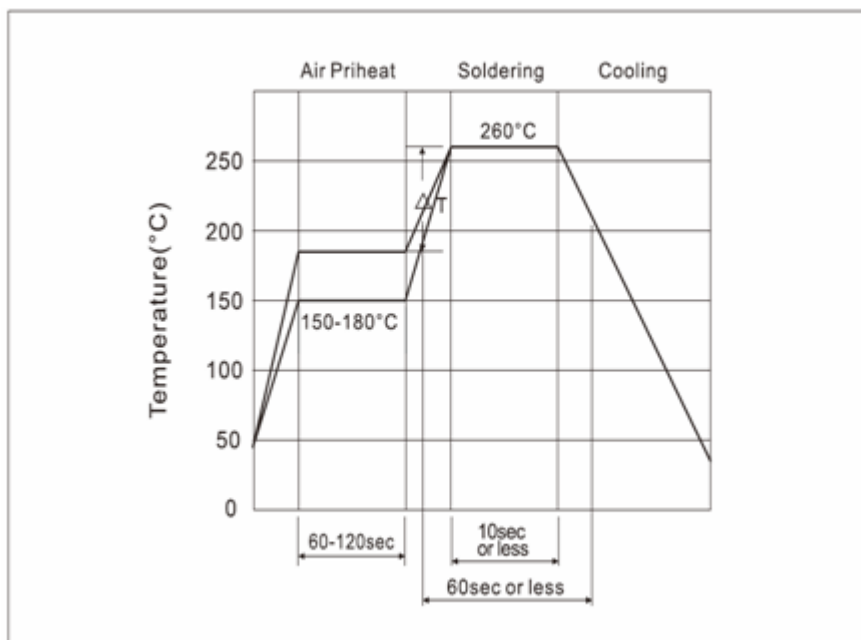
■ No Marking

■ Electrical Characteristics

THINKING Part No.	DC Spark-over Voltage	Impulse Withstanding Voltage Capacity	Impulse Discharge Current 8x20 μs	Min. Insulation Resistance		Max. Capacitance
	100V/S	10x700 μs	8x20 μs	IR	DC	1KHz
	(V)	(KV)	(A)	(M Ω)	(V)	(PF)
SPCC141MR	140 \pm 30%	2	1000	100	50	1.0
SPCC201MR	200 \pm 20%	2	1000	100	100	1.0
SPCC301MR	300 \pm 20%	2	1000	100	100	1.0
SPCC401MR	400 \pm 20%	2	1000	100	250	1.0
SPCC501MR	500 \pm 20%	2	1000	100	250	1.0

■ Soldering Recommendation

◎ IR-reflow Soldering Profile



◎ Recommended Reworking Conditions with Soldering Iron:

Item	Conditions
Temperature of Soldering Iron-tip	350 \pm 5 $^{\circ}\text{C}$
Soldering Time	3 sec. (max.)

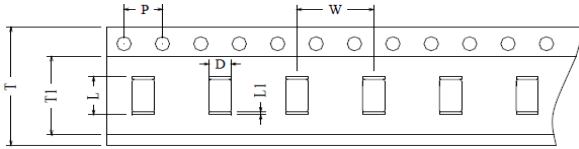
■ Packaging

Spark Gap Protector: SPC Series

No Lead Type $\Phi 2.6 \times 5 \text{mm}$



© Reel Taping : 2500pcs / Reel



Symbol	Dimension (mm)
W	8.0 ± 0.1
T	12.0 ± 0.3
L	5.1 ± 0.2
P	4.0 ± 0.1
D	2.7 ± 0.2

■ Warehouse Storage Conditions of Product

- Storage Condition:
 - 1.Storage Temperature: $-10^{\circ}\text{C} \sim +40^{\circ}\text{C}$
 - 2.Working Temperature:- $40^{\circ}\text{C} \sim +85^{\circ}\text{C}$
 - 3.Keep away from corrosive atmosphere and sunlight.
- Period of Storage: 2 years