

Gas Discharge Tube: G20D5F Series



2-Electrode $\Phi 20 \times T5.5\text{mm}$ Type

■ Features

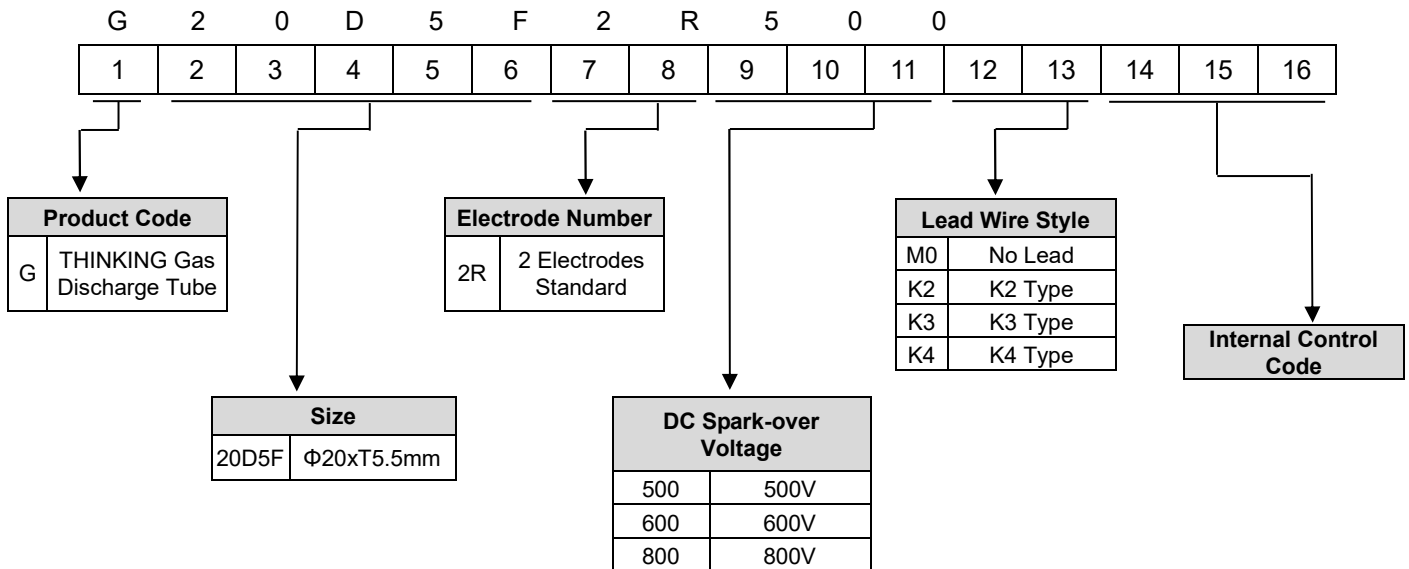
1. RoHS & HF compliant
2. Rugged ceramic-metal construction
3. DC spark-over voltage: 150~1000V
4. Follow current at 50/60Hz: 100A (For 500~1000V)
5. Max continuous operating voltage at 50/60Hz: 255V (For 500~1000V)
6. Agency recognition: UL
7. Operating temperature: $-40^{\circ}\text{C} \sim +105^{\circ}\text{C}$
Storage temperature: $-40^{\circ}\text{C} \sim +115^{\circ}\text{C}$



■ Recommended Applications

1. Power system
2. Industrial equipment
3. SPD module

■ Part Number Code



Gas Discharge Tube: G20D5F Series



2-Electrode $\Phi 20 \times T5.5\text{mm}$ Type

■ Characteristics

| Part No. | DC Spark-over Voltage | Max. Impulse Breakdown Voltage | | Max. Impulse Discharge Current (8/20 μs) | | Impulse Life (10/1000 μs) | Normal Alternating Discharge Current | Front-of-wave sparkover voltage | Follow Current | Max Continuous Operating Voltage | Maximum Capacitance | Minimum Insulation Resistance | Safety Approvals |
|---------------|-----------------------|--------------------------------|--------------------|--|----------|---------------------------------------|--------------------------------------|---------------------------------|----------------|----------------------------------|---------------------|-------------------------------|------------------|
| | 100V/S | 100V/ μs | 1KV/ μs | 1 time | 10 times | 300A | 50Hz, 1Sec | 1.2/50 μs 6KV | 50/60Hz | 50/60Hz | (1MHz) | (G Ω) | UL 1449 |
| | (V) | (V) | (V) | (KA) | | (times) | (A) | (V) | (A) | (V) | (pF) | | |
| G20D5F2R150□□ | 150 \pm 20% | 600 | 700 | 60 | 40 | 300 | 40 | 1100 | / | / | 5 | 1 | √ |
| G20D5F2R230□□ | 230 \pm 20% | 600 | 700 | | | | | 1100 | / | / | | | √ |
| G20D5F2R300□□ | 300 \pm 20% | 600 | 700 | | | | | 1100 | / | / | | | √ |
| G20D5F2R350□□ | 350 \pm 20% | 700 | 800 | | | | | 1100 | / | / | | | √ |
| G20D5F2R400□□ | 400 \pm 20% | 750 | 850 | | | | | 1200 | / | / | | | √ |
| G20D5F2R420□□ | 420 \pm 20% | 750 | 850 | | | | | 1200 | / | / | | | √ |
| G20D5F2R470□□ | 470 \pm 20% | 800 | 900 | | | | | 1200 | / | / | | | √ |
| G20D5F2R500□□ | 500 \pm 20% | 900 | 1000 | | | | | 1300 | 100 | 255 | | | √ |
| G20D5F2R600□□ | 600 \pm 20% | 900 | 1000 | | | | | 1300 | 100 | 255 | | | √ |
| G20D5F2R800□□ | 800 \pm 20% | 1100 | 1200 | | | | | 1400 | 100 | 255 | | | √ |
| G20D5F2R10B□□ | 1000 \pm 20% | 1300 | 1500 | | | | | 1500 | 100 | 255 | | | √ |

Note 1: The □□ is style of lead wire.

Note 2: UL 1449 4th File No: E314979.

Note 3: Insulation resistance test conditions:

| DC Spark-over Voltage | DC Measuring Voltage |
|-----------------------|----------------------|
| 150-400V | 100V |
| 420-1000V | 250V |

Gas Discharge Tube: G20D5F Series



2-Electrode $\Phi 20 \times T5.5\text{mm}$ Type

Dimension

(Unit: mm)

Figure 1

M0 : No Lead

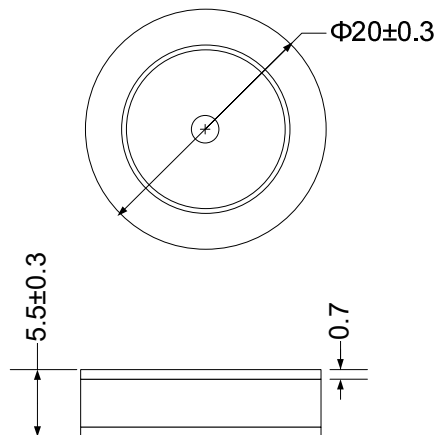


Figure 2

K2 : K2 Type

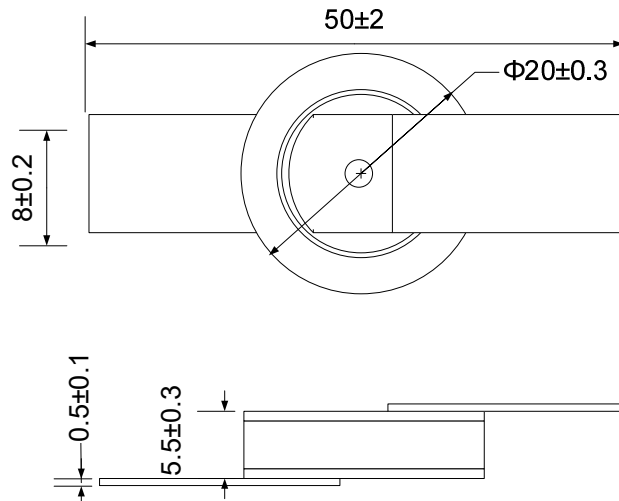


Figure 3

K3 : K3 Type

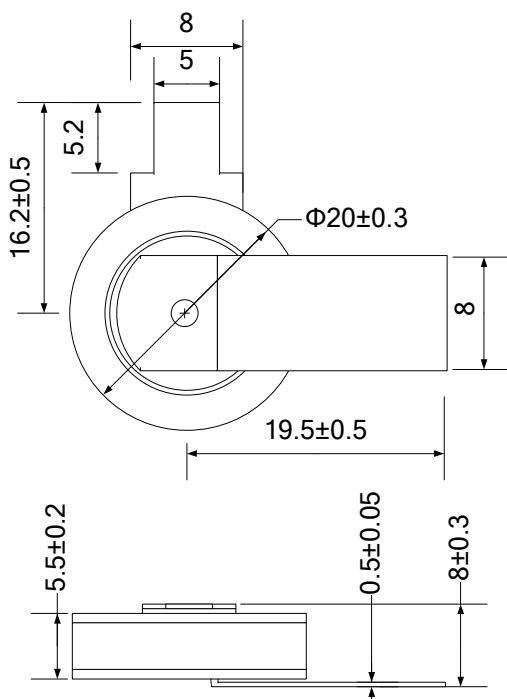
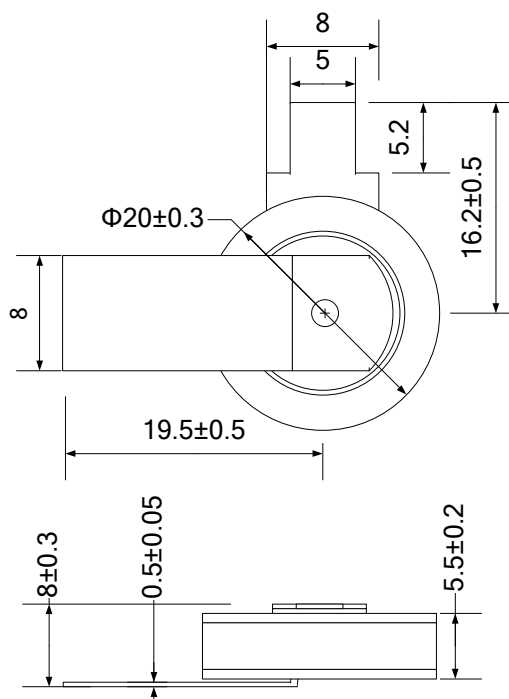


Figure 4

K4 : K4 Type

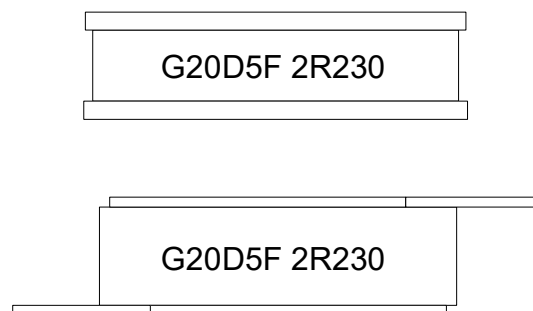
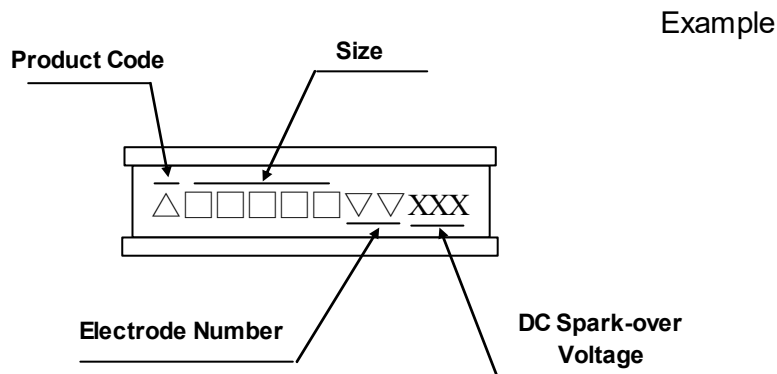


Gas Discharge Tube: G20D5F Series



2-Electrode $\Phi 20 \times T5.5\text{mm}$ Type

■ Marking



■ Packaging

- Bulk

■ Warehouse Storage Conditions of Products

- Storage Conditions:
 1. Storage Temperature: $-10^{\circ}\text{C} \sim +40^{\circ}\text{C}$
 2. Relative Humidity: $\leq 75\% \text{RH}$
 3. Keep away from corrosive atmosphere and sunlight.
- Period of Storage: 1 year