

Gas Discharge Tube: GRC Series



2-Electrode $\Phi 8 \times T6/7.9$ mm High Voltage and Surge Type

■ Features

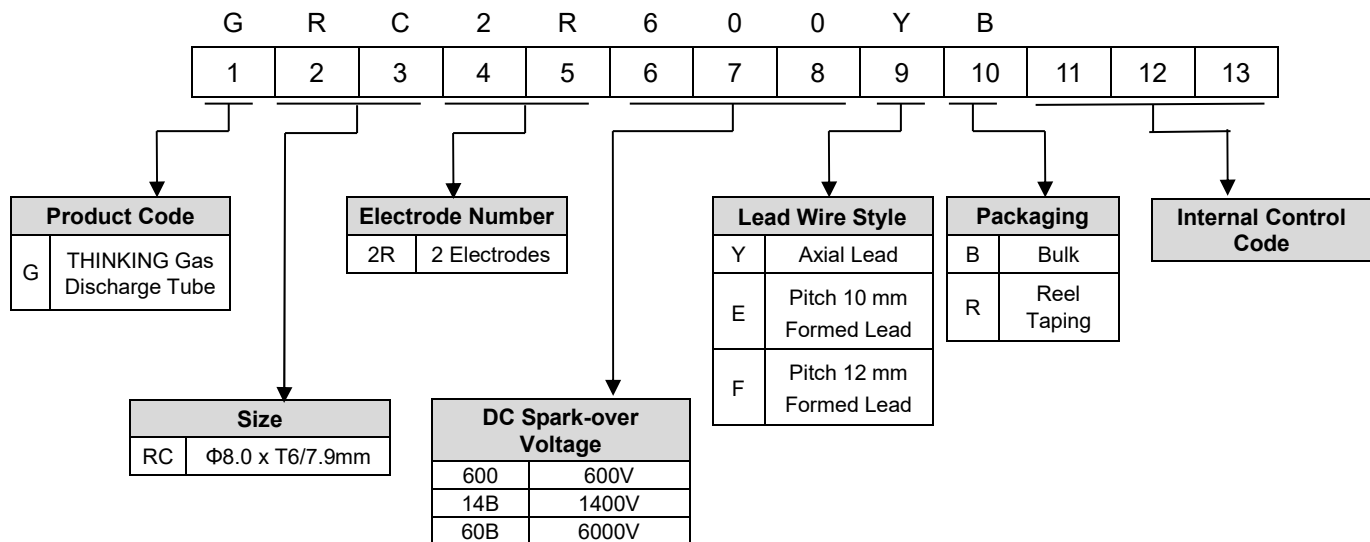
1. RoHS compliant
2. Rugged ceramic-metal construction
3. Available lead wire
4. DC spark-over voltage: 280~6500V
5. Low capacitance
6. Agency recognition: UL / cUL
7. Operating temperature: $-40^{\circ}\text{C} \sim +125^{\circ}\text{C}$
Storage temperature: $-40^{\circ}\text{C} \sim +115^{\circ}\text{C}$



■ Recommended Applications

1. Modem
2. xDSL splitter
3. CATV system
4. Power supply
5. Consumer electronics
6. Communication lines

■ Part Number Code



Gas Discharge Tube: GRC Series



2-Electrode Φ8xT6/7.9mm High Voltage and Surge Type

■ Characteristics

| Part No. | DC Spark-over Voltage | Max. Impulse Breakdown Voltage | | Max. Impulse Discharge Current (8/20μs) | | Arc Voltage | Max. Follow On Current | Hit-pot Test Voltage (Vac) | Minimum Insulation Resistance | Maximum Capacitance (1MHz) | Safety Approvals |
|------------|-----------------------|--------------------------------|--------|---|-----|--------------|------------------------|----------------------------|-------------------------------|----------------------------|------------------|
| | 100V/S | 100V/μs | 1KV/μs | 1次 | 10次 | at 1 Amp Min | | 60S | | | |
| | (V) | (V) | (V) | (KA) | | TYP | | Amps | | | |
| GRC2R280□□ | 230-340 | 500 | 550 | 10 | 5 | ~25 | 200 | / | 10 | 1.5 | √ |
| GRC2R600□□ | 600±20% | 1100 | 1200 | | | | | / | | | √ |
| GRC2R800□□ | 800±20% | 1300 | 1500 | | | | | / | | | √ |
| GRC2R10B□□ | 1000±20% | 1400 | 1500 | | | | | / | | | √ |
| GRC2R11B□□ | 1100±20% | 1600 | 1700 | | | | | / | | | √ |
| GRC2R12B□□ | 1200±20% | 1700 | 1800 | | | | | / | | | √ |
| GRC2R13B□□ | 1300±20% | 1800 | 1900 | | | | | / | | | √ |
| GRC2R15B□□ | 1500±20% | 1800 | 2000 | | | | | / | | | √ |
| GRC2R20B□□ | 2000±20% | 2500 | 2750 | | | | | 1000 | | | √ |
| GRC2R25B□□ | 2500±20% | 3200 | 3500 | | | | | 1250 | | | √ |
| GRC2R27B□□ | 2700±20% | 3600 | 4000 | | | | | 1350 | | | √ |
| GRC2R30B□□ | 3000±20% | 4000 | 4200 | | | | | 1500 | | | √ |
| GRC2R33B□□ | 3300±20% | 4600 | 4700 | | | | | 1650 | | | √ |
| GRC2R40B□□ | 4000±20% | 5800 | 6000 | | | | | 2000 | | | √ |
| GRC2R45B□□ | 4500±20% | 6150 | 6500 | | | | | 2250 | | | √ |
| GRC2R50B□□ | 5000±20% | 7500 | 8000 | | | | | 2500 | | | √ |
| GRC2R62B□□ | 6200±20% | 8100 | 9500 | | | | | 3100 | | | √ |
| GRC2R65B□□ | 6500±20% | 9500 | 10000 | 3250 | √ | | | | | | |

Note 1 : The first □ is style of lead wire, and the second □ is packing.

Note 2 : GRC2R280□□~GRC2R25B□□的T=6±0.2mm,GRC2R27B□□~GRC2R65B□□的T=7.9±0.3mm。

Note 3 : UL 1449 4th File No: E314979

Note 4 : Insulation resistance test conditions:

| DC Spark-over Voltage | DC Measuring Voltage |
|-----------------------|----------------------|
| 151-400V | 100V |
| 401-1000V | 250V |
| 1001-2000V | 500V |
| 2001-6500V | 1000V |

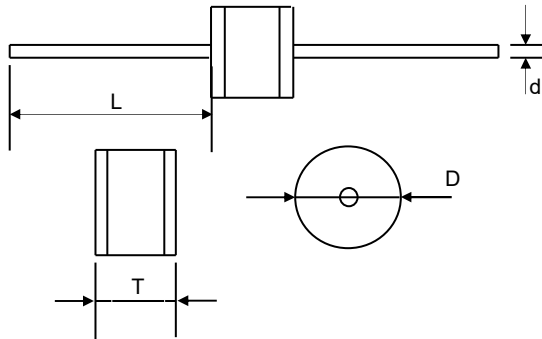
Gas Discharge Tube: GRC Series



2-Electrode $\Phi 8 \times T6/7.9 \text{mm}$ High Voltage and Surge Type

Dimension

□ = Y (Axial Lead Type)



(Unit: mm)

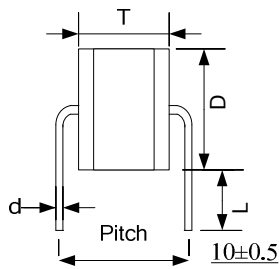
| Item | Dimensions | |
|------|------------|-----------------------|
| | Spec. | Tolerance |
| D | 8.0 | ± 0.2 |
| T | 6.0&7.9 | ± 0.2 & ± 0.3 |
| L | 20 | Min. |
| d | 0.8 | ± 0.05 |

Note: T of GRC2R280□□~GRC2R25B

□□ parts are 6mm, T of GRC2R27B□

□~GRC2R65B□□ are 7.9mm.

□ = E (Formed Lead)



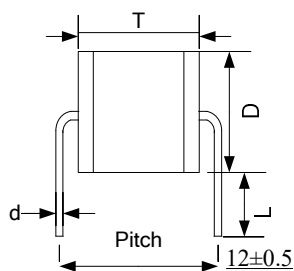
(Unit: mm)

| Item | Dimensions | |
|------|------------|------------|
| | Spec | Spec |
| D | 8.0 | ± 0.2 |
| T | 6.0 | ± 0.2 |
| d | 0.8 | ± 0.05 |
| L | 4.0 | ± 0.5 |
| P | 10.0 | ± 0.5 |

Note: T of GRC2R280□□~GRC2R25B□

□parts are 6mm;

□ = F (Formed Lead)



| Item | Dimensions | |
|------|------------|------------|
| | Spec | Spec |
| D | 8.0 | ± 0.2 |
| T | 7.9 | ± 0.3 |
| d | 0.8 | ± 0.05 |
| L | 4.0 | ± 0.5 |
| P | 12.0 | ± 0.5 |

Note: T of GRC2R27B□□~GRC2R65B

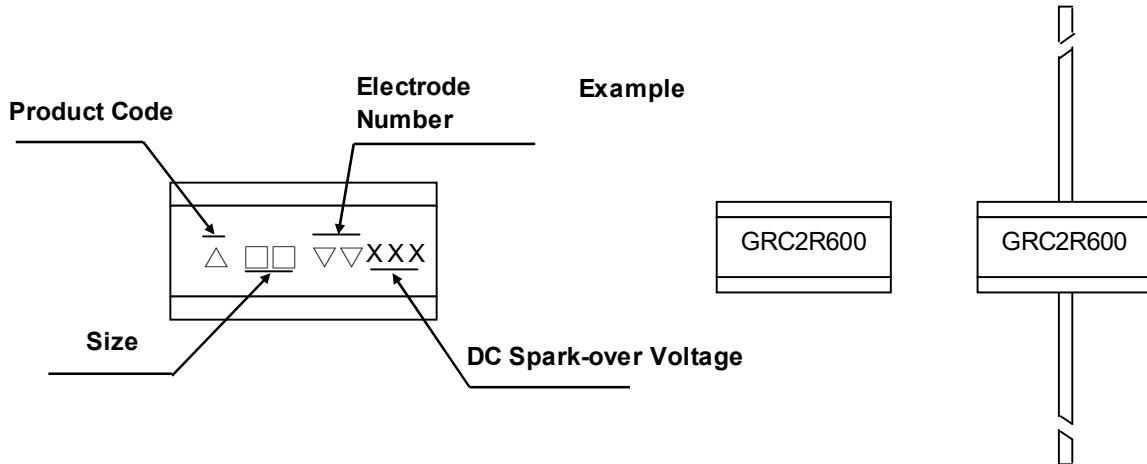
□□parts are 7.9mm.

Gas Discharge Tube: GRC Series

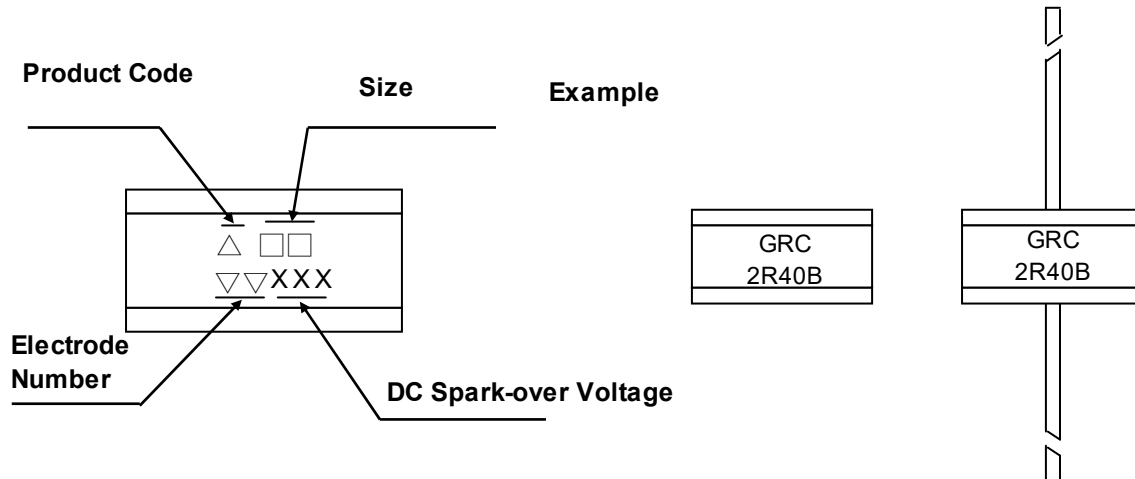


2-Electrode $\Phi 8 \times T6/7.9$ mm High Voltage and Surge Type

■ Marking



Note: T of GRC2R280□□~ GRC2R25B□□ parts are 6mm.



Note: T of GRC2R27B□□~GRC2R65B□□ are 7.9mm.

■ Packaging

● Bulk

- ◆ 8x6mm For Axial Lead (Y/E Type):
Quantity: 100pcs per PVC Box, and 500 pcs per Inner Box
Quantity (MPQ): 500pcs
- ◆ 8x7.9mm For Axial Lead (Y/F Type):
Quantity: 100pcs per PVC Box, and 500 pcs per Inner Box
Quantity (MPQ): 500pcs

Gas Discharge Tube: GRC Series



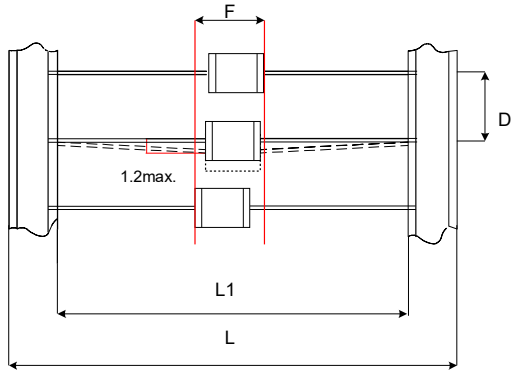
2-Electrode $\Phi 8 \times T6/7.9$ mm High Voltage and Surge Type

● Taping

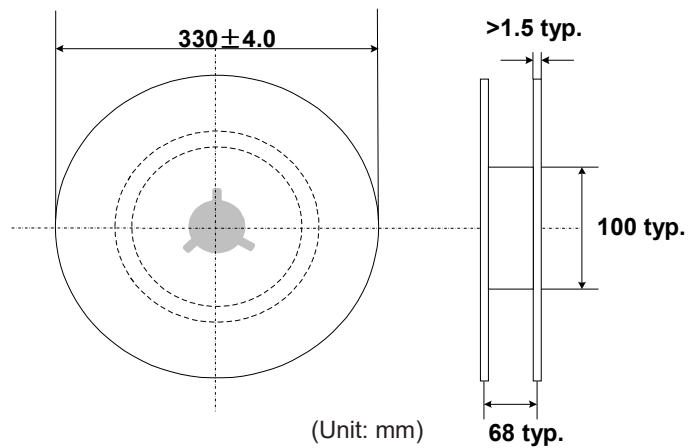
For 2-electrode Axial Lead GDT: 500 PCS/Reel

Quantity (MPQ): 500pcs

(Unit: mm)



| Item | Dimensions | |
|------|------------|-----------|
| | Spec. | Tolerance |
| L1 | 52 | ± 2 |
| L | 64 | ± 3 |
| D | 10 | ± 0.5 |
| F | T + 1.4 | Max. |



■ Warehouse Storage Conditions of Products

● Storage Conditions:

1. Storage Temperature: $-10^{\circ}\text{C} \sim +40^{\circ}\text{C}$
2. Relative Humidity: $\leq 75\% \text{RH}$
3. Keep away from corrosive atmosphere and sunlight.

● Period of Storage: 1 year